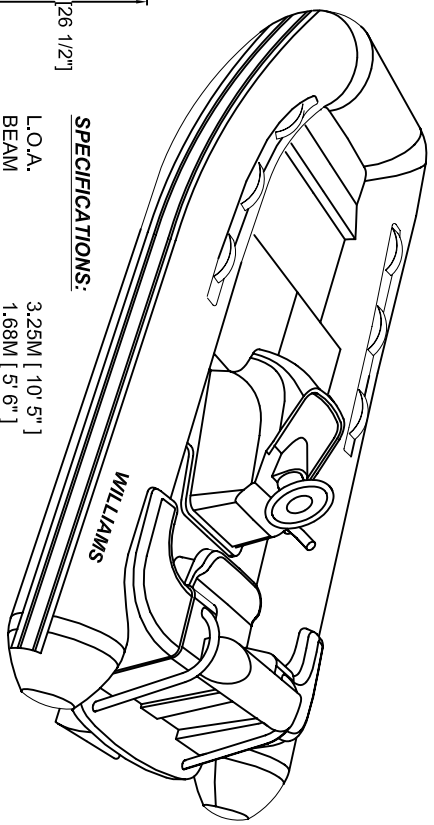
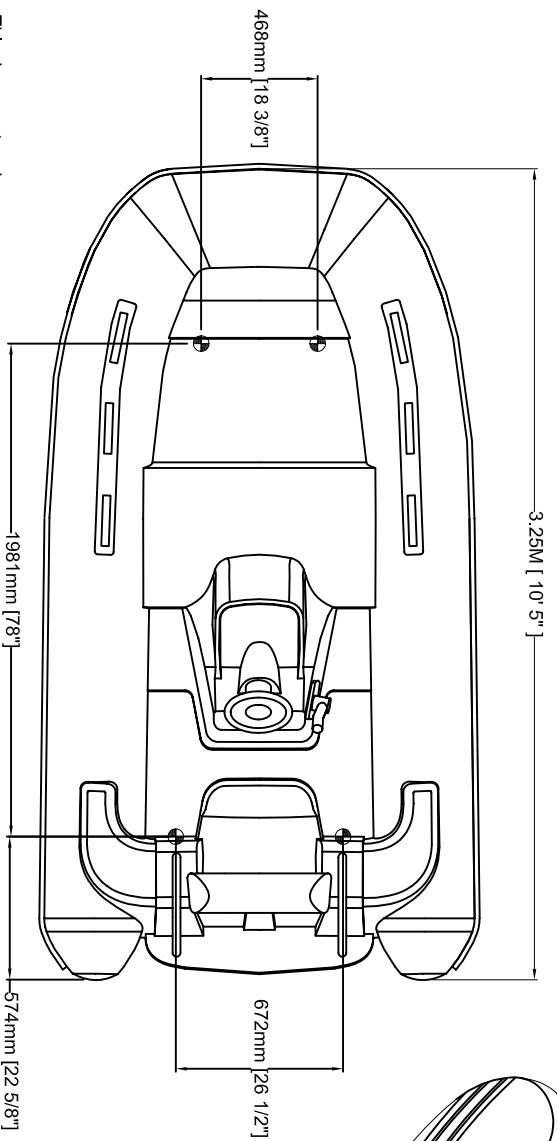
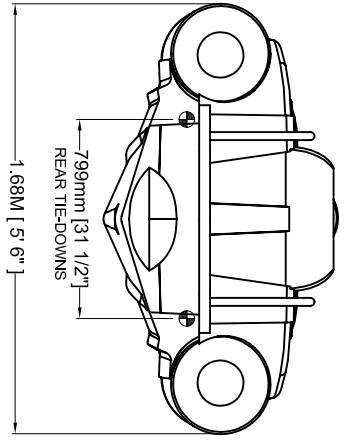
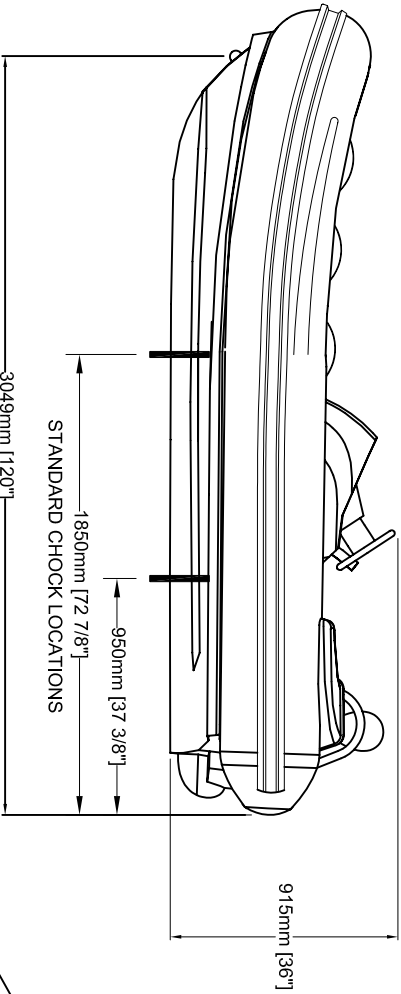


REV.#	REVISION NOTES	DATE

WILLIAMS TURBO JET 325



- SPECIFICATIONS:**
- L.O.A. 3.25M [10' 5"]
 - BEAM 1.68M [5' 6"]
 - MAX HEIGHT 910mm [36"]
 - FUEL 41 L., 10.8 GAL.
 - ENGINE WEBER MPIE 750 (4 STROKE) (104 HP)
 - DRY WEIGHT 296 Kg 657 LBS.
 - SEATING 4 ADULTS PLUS 1 CHILLD
 - TUBE PVC FABRIC

This document and the information therein is exclusive property of Williams and may not be disclosed or reproduced without prior written permission of WPT Ltd

WILLIAMS TURBO JET 325	
Williams Performance Tendons Ltd. Vogue Business Park Barnsfield Oxfordshire	
E-MAIL: Sales@williamsperformance.com	
DATE: 10-11-06	DRAWN BY: MDC