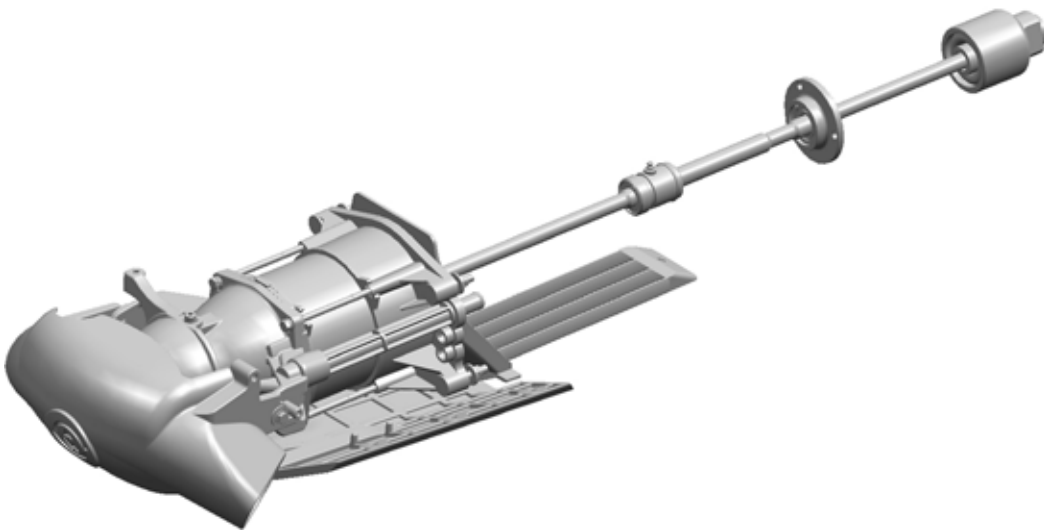


Jet Propulsion System 104



This spare parts catalogue is valid for the following jet propulsion system variants:

- 103819_Jet Propulsion System 104 V2 2007 3.1

Document No: 103819 ETK

Revision: 1.3

Date of Issue: 04.05.2009

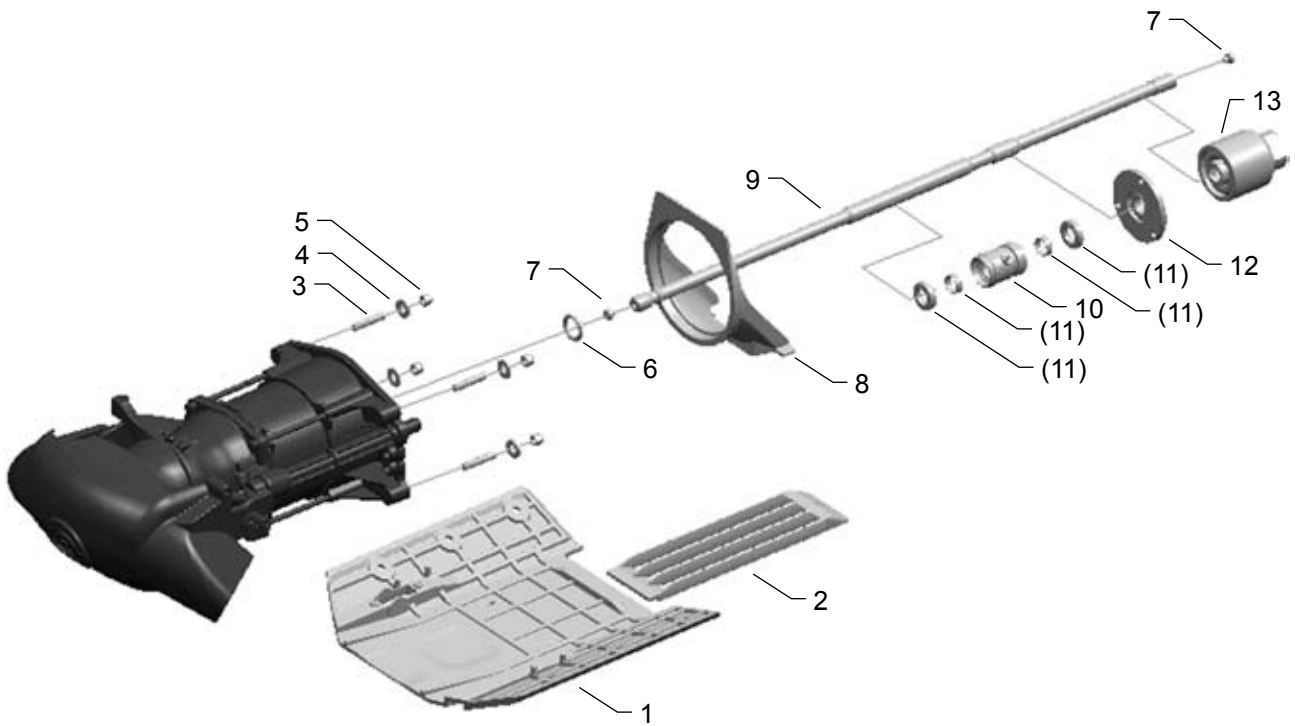


Table of Contents

200	Jet Propulsion	1
	01 Attachment Parts	1
	02 Propulsion	2
	03 Steering	4
900	Special Tools	5
	Overview of Revisions	6
	Terminology	7

200 Jet Propulsion

01 Attachment Parts

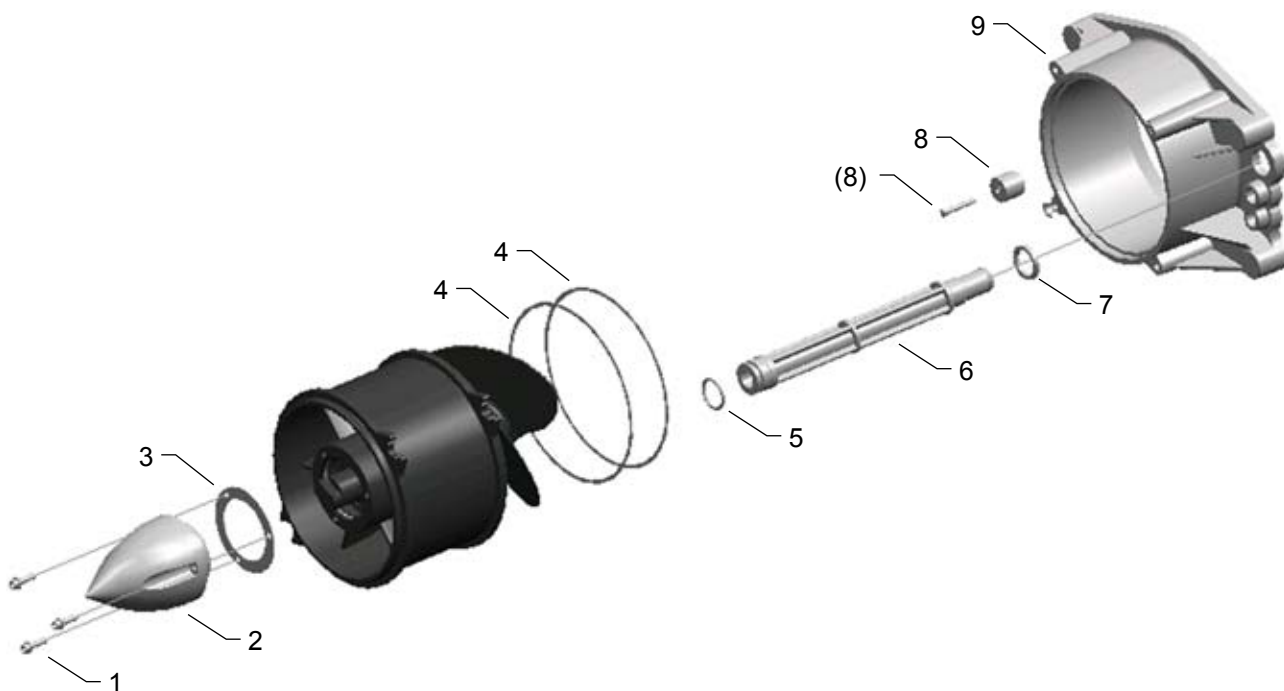


Pos.	Part No	Description	QTY
1	401881	Ride Plate	1
2	103498	Grate	1
3	103478	Stud	4
4	103484	Washer	4
5	103485	Nut	4
6	103423	O-Ring	1
7	103419	Bumper	2
8	103668	Inlet Scoop	1
9	401869	Driveshaft	1
10	402423	Seal Driveshaft incl. Pos. 11	1

Pos.	Part No	Description	QTY
11	103690	Repair Kit Seal Driveshaft	1
12	403215	Damping Bearing	1
13	103421	Drive Coupler	1

200 Jet Propulsion

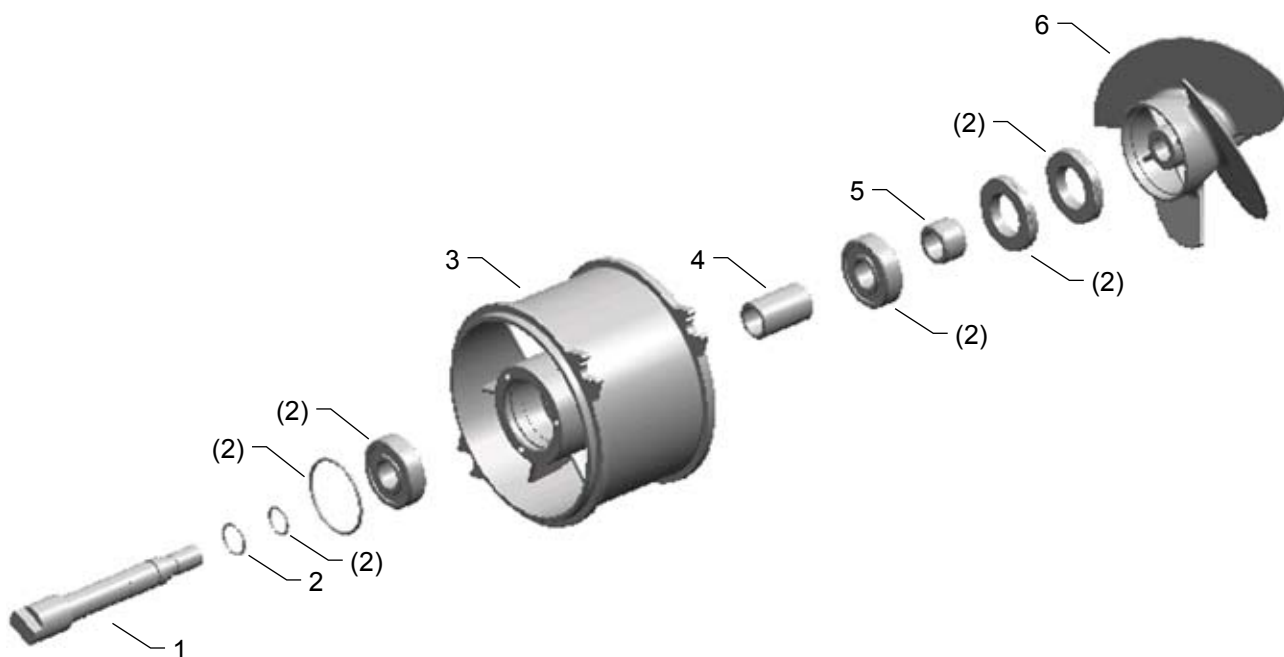
02 Propulsion



Pos.	Part No	Description	QTY
1	103479	Bolt	3
2	103491	Pump Cone	1
3	103496	Seal	1
4	403454	Gasket	2
5	103425	O-Ring	1
6	103490	Water Tube	1
7	103494	Seal	1
8	103689	Repair Kit Zinc Anode	1
9	402174	Housing	1

200 Jet Propulsion

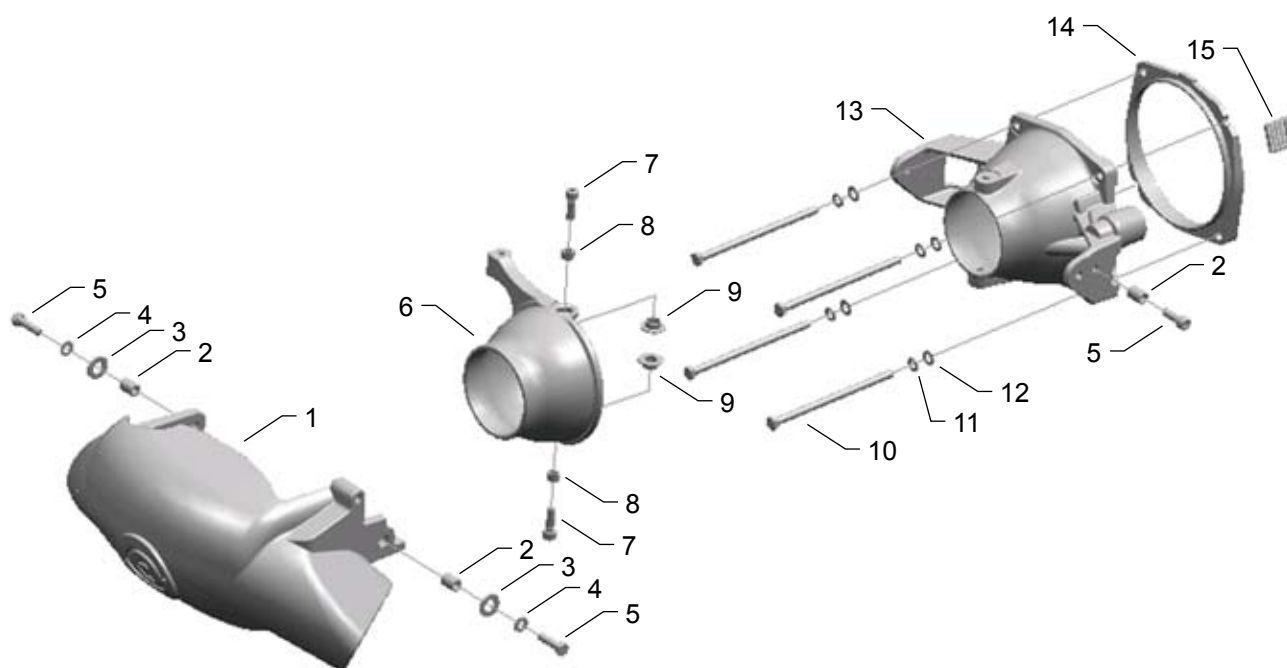
02 Propulsion (continuation)



Pos.	Part No	Description	QTY
1	103418	Stub Shaft	1
2	103688	Repair Kit Jet Pump	1
3	103420	Stator	1
4	103430	Sleeve	1
5	103429	Sleeve	1
6	103729	Impeller	1

200 Jet Propulsion

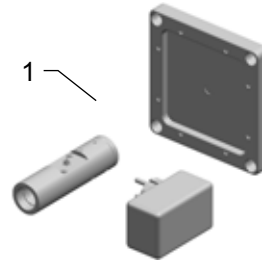
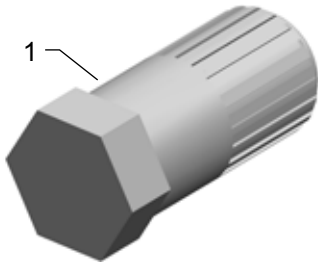
03 Steering



Pos.	Part No	Description	QTY
1	401221	Reverse Gate	1
2	103514	Sleeve	3
3	401625	Washer	2
4	100547	Washer	2
5	103716	Bolt M8x30	2
6	401302	Steering Nozzle	1
7	102490	Bolt M8x25	3
8	103431	Sleeve	2
9	103493	Sleeve	2
10	103480	Bolt	4

Pos.	Part No	Description	QTY
11	103482	Lock Washer	4
12	103481	Washer	4
13	103825	Stationary Nozzle	1
14	400320	Pump Wedge	1
15	103492	Screen	1

900 Special Tools



Pos.	Part No	Description	QTY
1	104361	Mounting Tool Impeller	1

Pos.	Part No	Description	QTY
1	104366	Alignment Laser Tool Case	1



Overview of Revisions

New Revision Status	Revision Date	Chapter	Pos.	Modification	Notes
Rev1.1	12.11.2007	200 Jet Propulsion System 01 Attachment Parts	5	Seal Driveshaft 103501 replaced by 402423.	Parts in stock can be used. Please, order in future only 402423.
Rev1.1	12.11.2007	200 Jet Propulsion System 03 Jet Pump Power Take-Off Side	3	Stationary Nozzle 401210 replaced by 103825.	Parts in stock can be used. Please, order in future only 103825.
Rev1.1	12.11.2007	200 Jet Propulsion System 03 Jet Pump Power Take-Off Side		Lock Washer 103482 is new.	
Rev1.2	26.05.2008	200 Jet Propulsion 01 Attachment Parts	13	Drive-Shaft Support 401913 replaced by Damping Bearing 403215.	
Rev1.2	26.05.2008	200 Jet Propulsion 02 Propulsion	1	Housing 103488 replaced by 402174	Parts in stock can be used.
Rev1.3	04.05.2009	900 Special Tools		New Chapter	
Rev1.3	04.05.2009	200 Jet Propulsion 02 Propulsion	7	Two gaskets 403454 are new	



Terminology

A

Alignment Laser Tool Case 5

B

Bumper 1

D

Damping Bearing 1
Drive Coupler 1
Driveshaft 1

G

Grate 1

I

Impeller 3
Inlet Scoop 1

M

Mounting Tool Impeller 5

P

Pump Cone 2
Pump Wedge 4

R

Repair Kit Jet Pump 3
Repair Kit Seal Driveshaft 1
Repair Kit Zinc Anode 2
Reverse Gate 4
Ride Plate 1

S

Seal Driveshaft 1
Stationary Nozzle 4
Stator 3
Steering Nozzle 4
Stub Shaft 3

W

Water Tube 2

Manufacturer: Weber Automotive GmbH

Address: Otto-Lilienthal-Str. 5
88677 Markdorf
Germany

Internet: www.weber-automotive.com