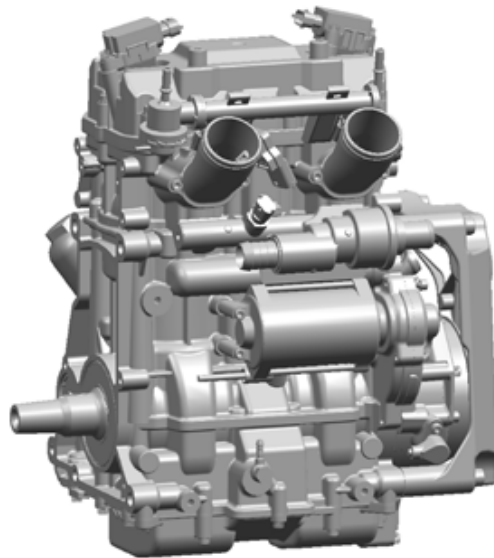
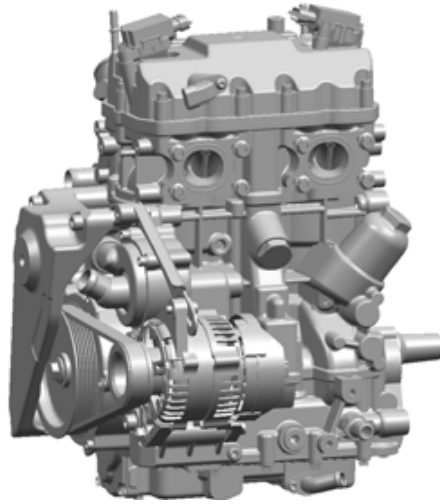




**MPE 750 NA Snow**



This spare parts catalogue is valid for the following engine variants:

- 10056\_ Snow NA 3.2 Liberty ab Modelljahr 2007

Document No: 10056 MJ07 ETK

Revision: 1.3

Date of Issue: 28.01.2009

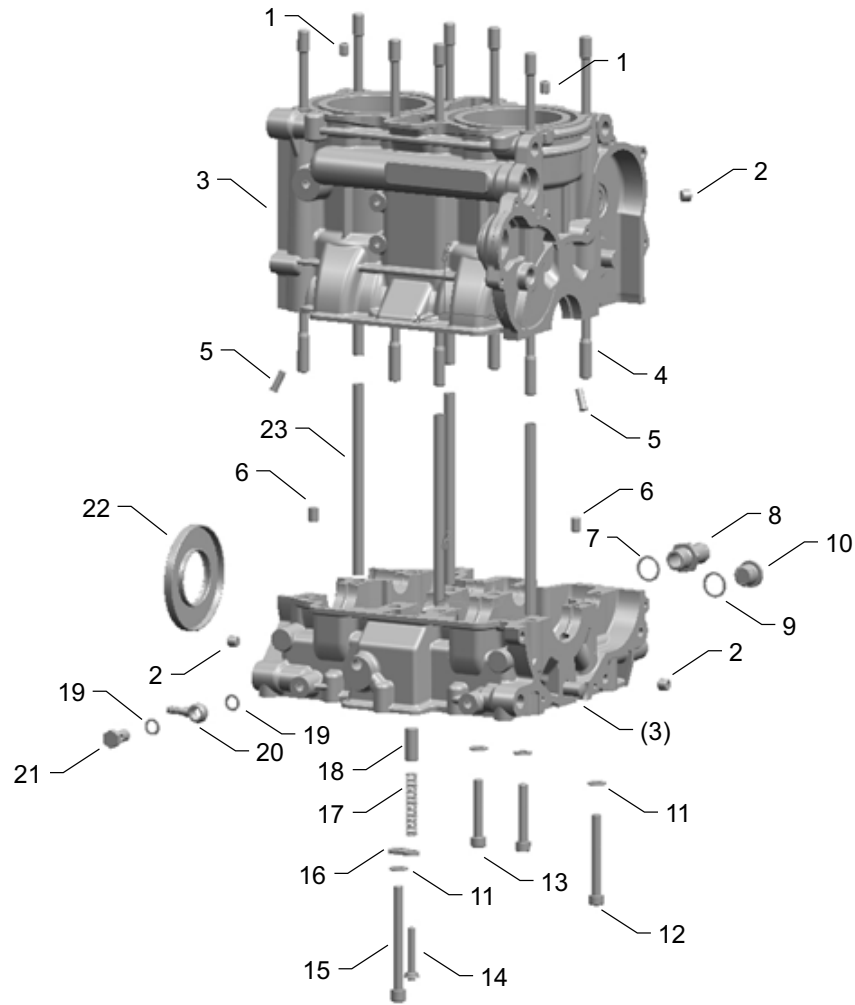


## Table of Contents

010	Crankcase	1
	01 Case	1
	02 Front Cover	3
020	Crank Drive	4
030	Cylinder Head	5
	01 Valve Cover	5
	02 Rocker Arms	6
	03 Cylinder Head	7
	04 Valves	8
040	Valve Train	9
050	Cooling System	10
	01 Water Manifold	10
	02 Water Pump	11
070	Intake Area	12
080	Engine Management System	13
090	Starter, Generator	15
	01 Starter	15
	02 Generator	16
100	Fuel Unit	17
110	Lubrication System	18
	01 Dry Sump	18
	02 Oil Filter, Oil Pump	19
900	Special Tools	20
910	Repair Kits	22
	Overview of Revisions	23
	Terminology	24

010 Crankcase

01 Case



Pos.	Part No	Description	QTY
1	100280	Sleeve	2
2	102992	Plug	3
3	*	Crankcase incl. Pos. 2, 4, 5, 6, 1x 11, 1x13	1
4	100070	Tie Rod	8
5	100287	Welch Plug	2
6	100225	Centering Pin	2
7	*	Seal 18.22.15. Al	2
8	*	Fitting M18x1.5	1
9	100454	Seal 18x22x1.5 Al	1
10	102523	Plug	1
11	100468	Washer	4

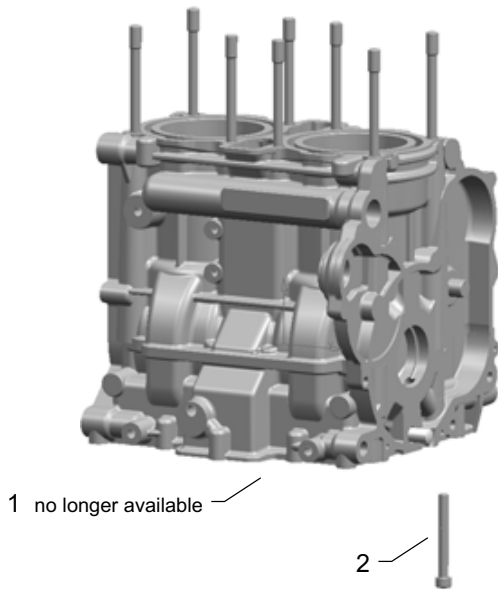
Pos.	Part No	Description	QTY
12	*	Bolt M8	1
13	100464	Bolt M8x50 10.9	2
14	102442	Pin	1
15	100467	Bolt M8x90 10.9	1
16	100297	Clamp Plate	1
17	100328	Spring	1
18	100072	Oil Pressure Piston	1
19	101107	Seal 10x14x1 Al	2
20	102572	Banjo Fitting	1
21	100085	Banjo Bolt M10x1	1
22	101108	Oil Seal	1
23	100224	Tie Rod Sleeve	4

\* See next page

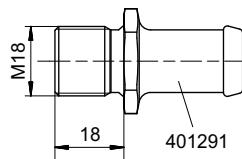
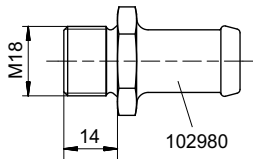
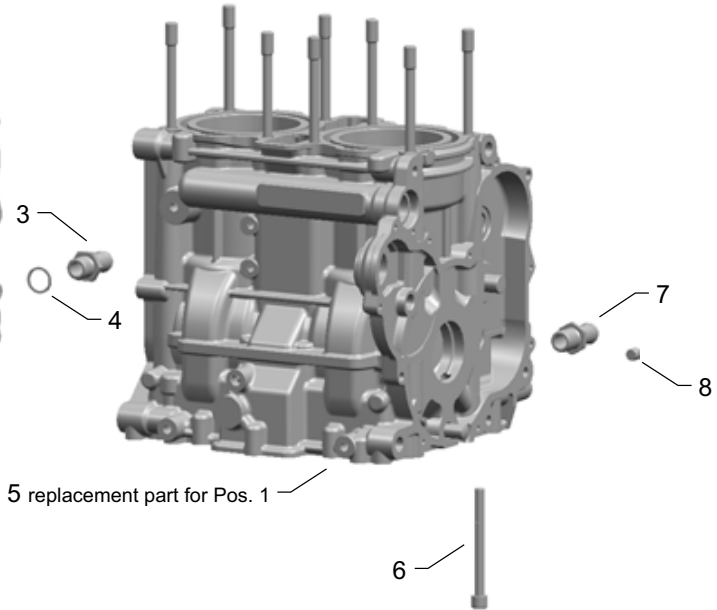
010 Crankcase

01 Case (continuation)

Crankcase Type 1 with Fitting 102980



Crankcase Type 2 with Fitting 401291



Pos.	Part No	Description		QTY
1	(103865)	Crankcase Type 1		1
2	100466	Bolt	M8x70 10.9	1
3	102980	Fitting	M18x1.5x14	1
4	100454	Seal	18x22x1.5 Al	1

Pos.	Part No	Description		QTY
5	104022	Crankcase Type 2		1
6	100467	Bolt	M8x90 10.9	1
7	401291	Fitting	M18x1.5x18	1
8	102992	Plug		1



The crankcase can be differentiated according to the Fitting.

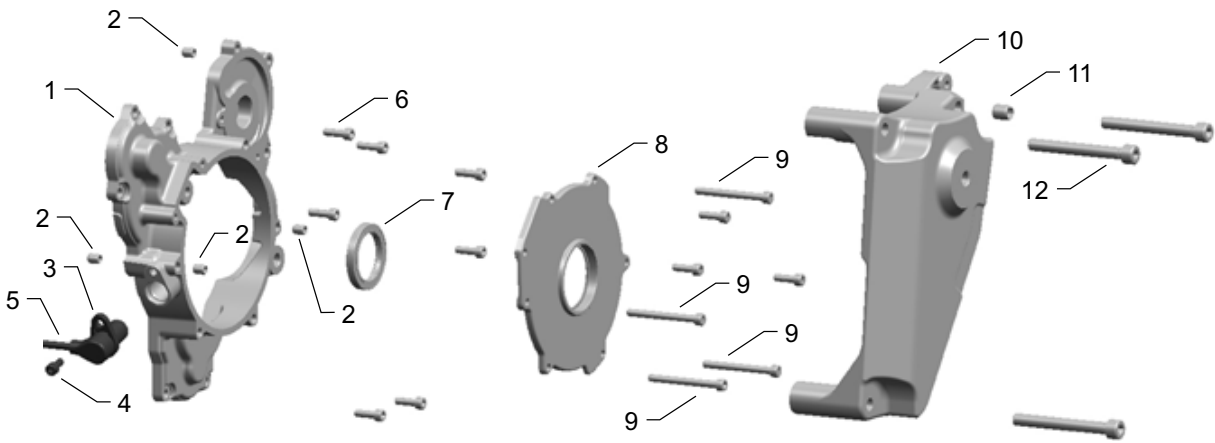
Device-dependent parts are:

- Fitting M18x1.5
- Bolt M8

Along with a change in crankcase type, these parts must also be exchanged.

010 Crankcase

02 Front Cover

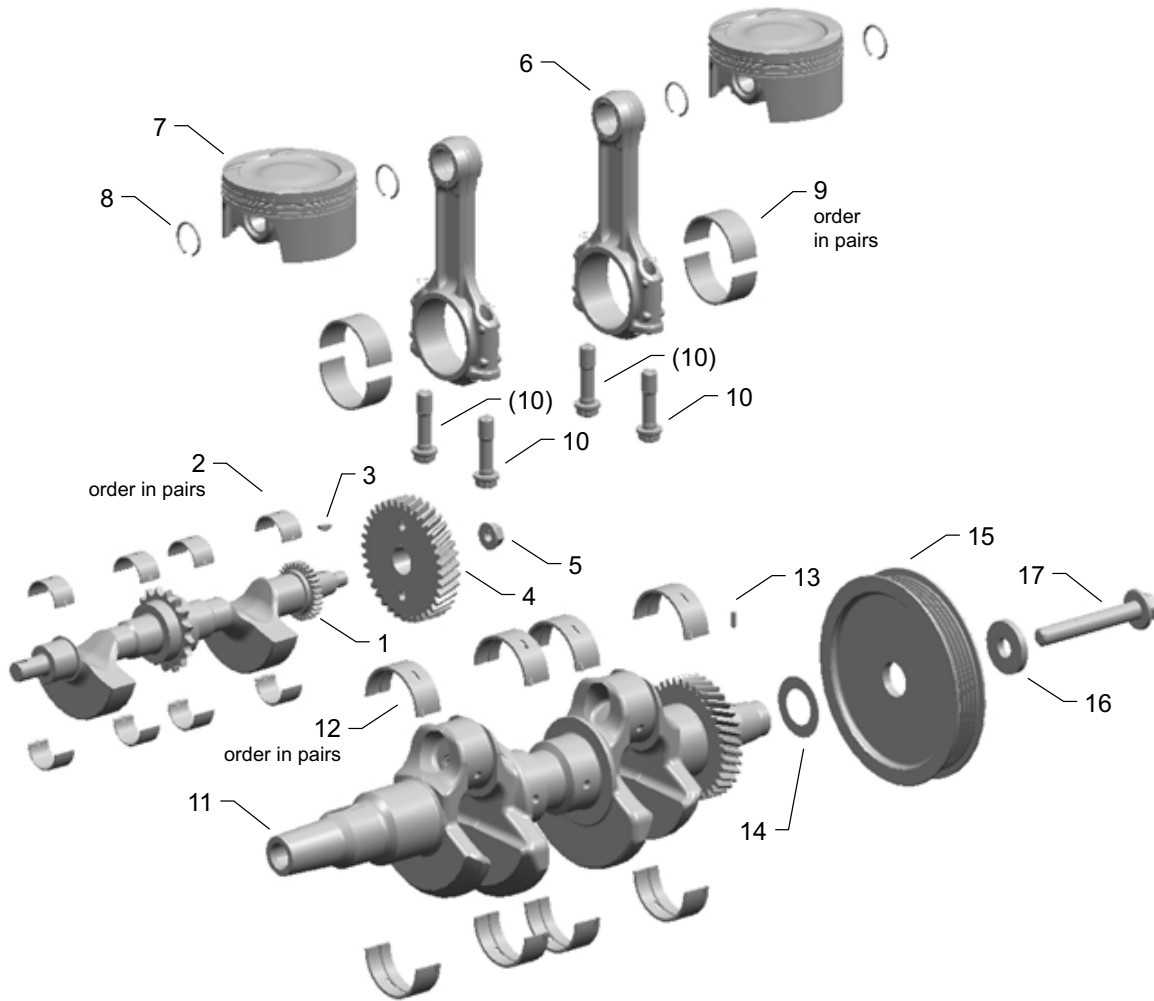


Pos.	Part No	Description	QTY
1	103635	Front Cover	1
2	100280	Sleeve	4
3	*	Sensor Crankshaft	1
4	*	Bolt M6x12	1
5	*	Conduit	1
6	100501	Bolt M6x20 8.8	10
7	101525	Oil Seal	1
8	102476	Generator Cover	1
9	100549	Bolt M6x65 8.8	4
10	400661	Engine Bracket	1

Pos.	Part No	Description	QTY
11	100228	Sleeve	1
12	102475	Bolt M10x90 8.8	3

\* See Chapter Engine Management System

**020 Crank Drive**

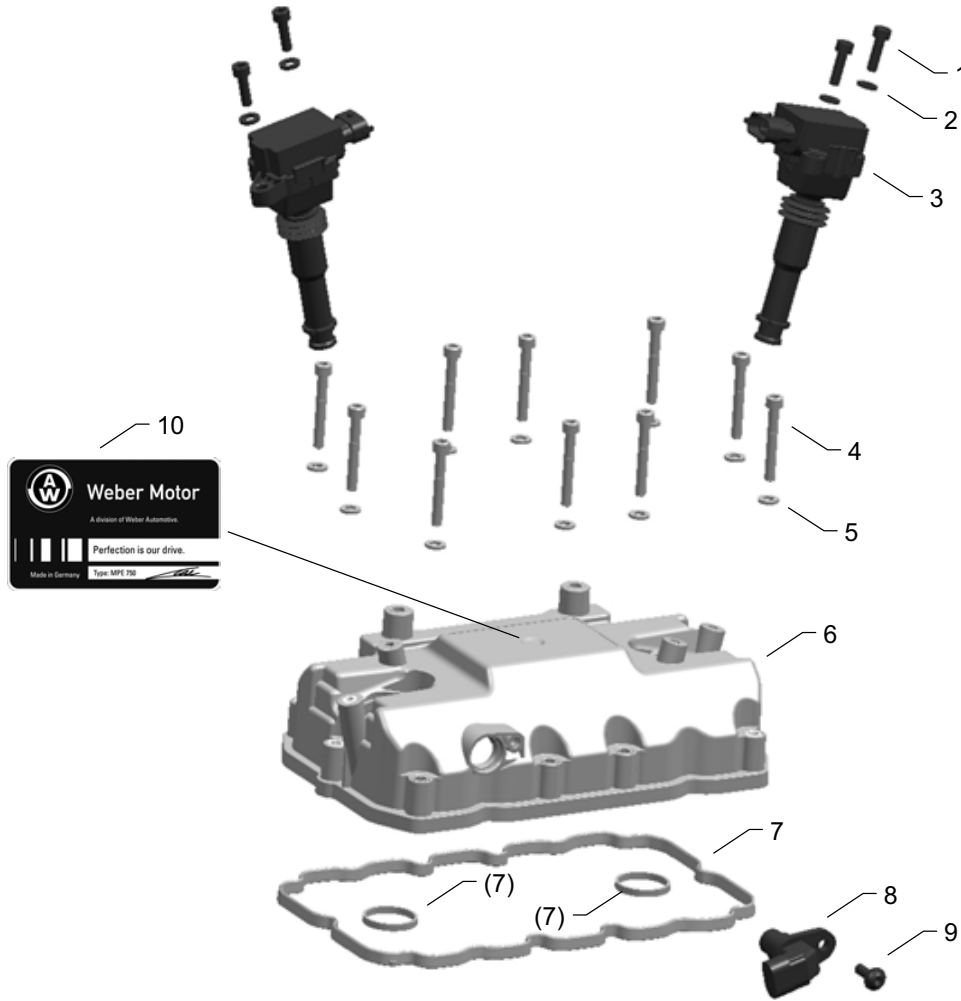


Pos.	Part No	Description	QTY
1	102868	Balance Shaft incl. Pos. 3, 4, 5	1
2	100017	Bearing Shell Balance Shaft	8
3	100463	Key	1
4	100112	Gear Balance Shaft	1
5	100164	Nut M10 8.8	1
6	103974	Con Rod incl. Pos. 10	2
7	102314	Piston incl. Pos. 8	2
8	100361	Circlip	4
9	100008	Con Rod Bearing Red 1.721 mm	4
or	100007	Con Rod Bearing Yellow 1.726 mm	
or	100009	Con Rod Bearing Blue 1.731 mm	
or	100010	Con Rod Bearing Green 1.736 mm	
or	100011	Con Rod Bearing Brown 1.741 mm	

Pos.	Part No	Description	QTY
10	103694	2x Con-Rod Bolt M10x1x38	2
11	100338	Crankshaft	1
12	100013	Main Bearing Red 1.990 mm	8
or	100012	Main Bearing Yellow 1.995 mm	
or	100014	Main Bearing Blue 2.000 mm	
or	100015	Main Bearing Green 2.005 mm	
or	100016	Main Bearing Brown 2.010 mm	
13	103105	Parallel Pin	1
14	103111	Washer	1
15	102949	Pulley	1
16	103028	Washer	1
17	103042	Bolt M12x80 10.9	1

030 Cylinder Head

01 Valve Cover



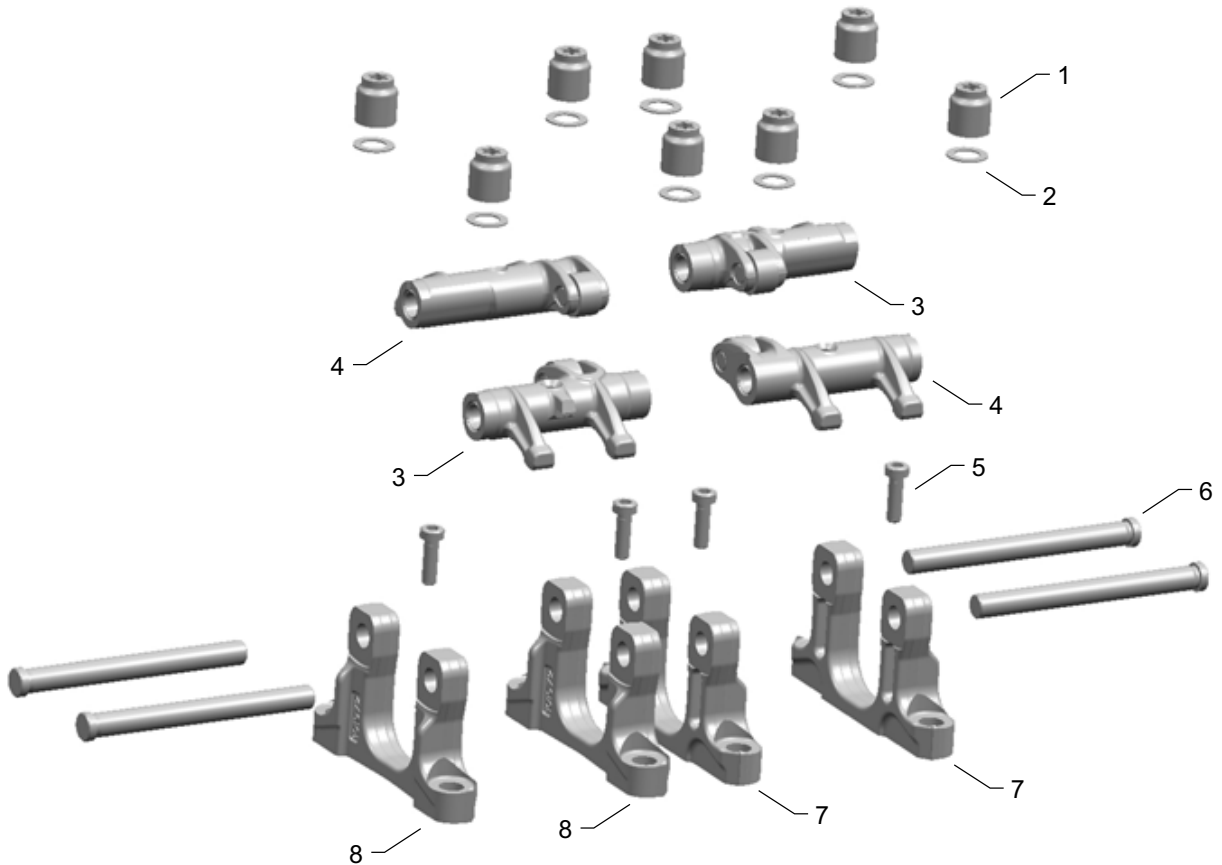
Pos.	Part No	Description		QTY
1	*	Bolt	M6x20 8.8	4
2	*	Washer		4
3	*	Ignition Coil		2
4	100446	Bolt	M6x45	10
5	100448	Washer		10
6	102941	Valve Cover Black incl. Pos. 7, 8, 9		1
7	102134	Valve Cover Seal		1
8	*	Sensor Camshaft		1
9	*	Bolt	6x18	1
10	402159	Engine Badge		1

\* See Chapter Engine Management System



030 Cylinder Head

02 Rocker Arms

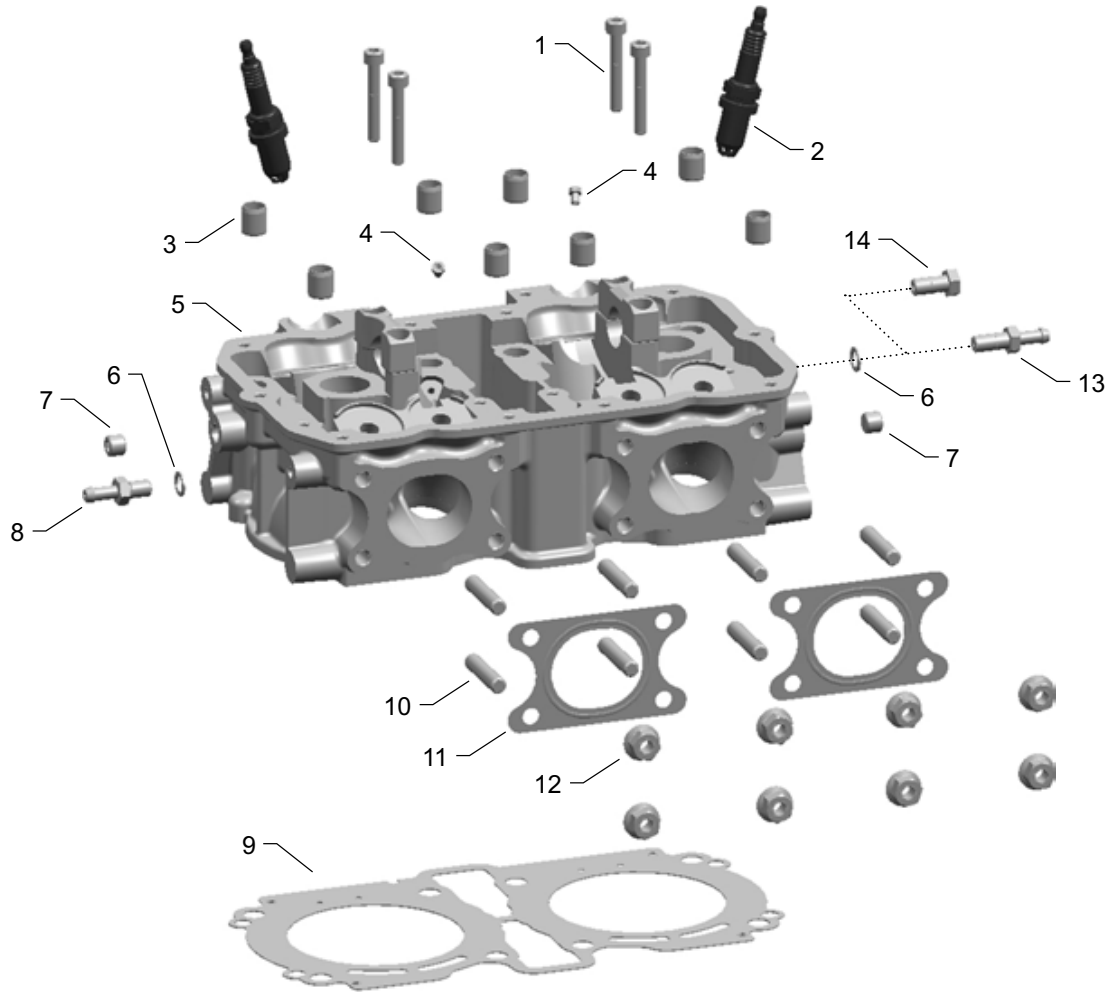


Pos.	Part No	Description		QTY
1	101034	Nut	M10x1.25 10.9	8
2	103099	Washer		8
3	102023	Rocker Arm Short		2
4	102024	Rocker Arm Long		2
5	100605	Bolt	M6x20 10.9	4
6	100080	Rocker Axle		4
7	101973	Rocker Arm Support 1		2
8	101974	Rocker Arm Support 2		2



030 Cylinder Head

03 Cylinder Head



Quod vide chapter 910 Repair Kits

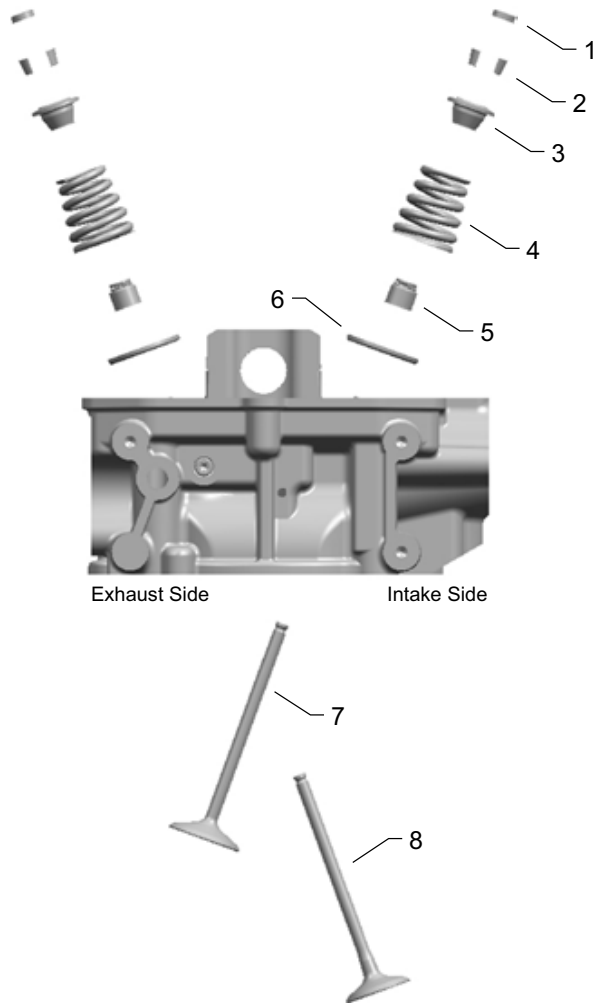
Pos.	Part No	Description		QTY
1	100514	Bolt	M6x40 10.9	4
2	*	Spark Plug	RC7YC	2
3	100228	Sleeve		8
4	100094	Welch Plug		2
5	104249	Cylinder Head incl. Pos. 1, 4, 6, 7, 8, 13		1
6	100587	Seal	8x12x1 Al	2
7	102992	Plug		2
8	400920	Fitting (total lenght 33mm) M8x1x12		1
9	101445	Cylinder Head Gasket		1
10	102453	Stud	M8x38 8.8	8

Pos.	Part No	Description		QTY
11	101446	Exhaust Gasket		2
12	100737	Nut	M8	8
Depending on delivery status Pos. 13 or Pos. 14				
13	401990	Fitting (total lenght 38mm) M8x1x17		1
14	100572	Banjo Bolt	M8x1	1

\* See Chapter Engine Management System

**030 Cylinder Head**

**04 Valves**



**Valve Adjustment Shim (8 parts per bag)**

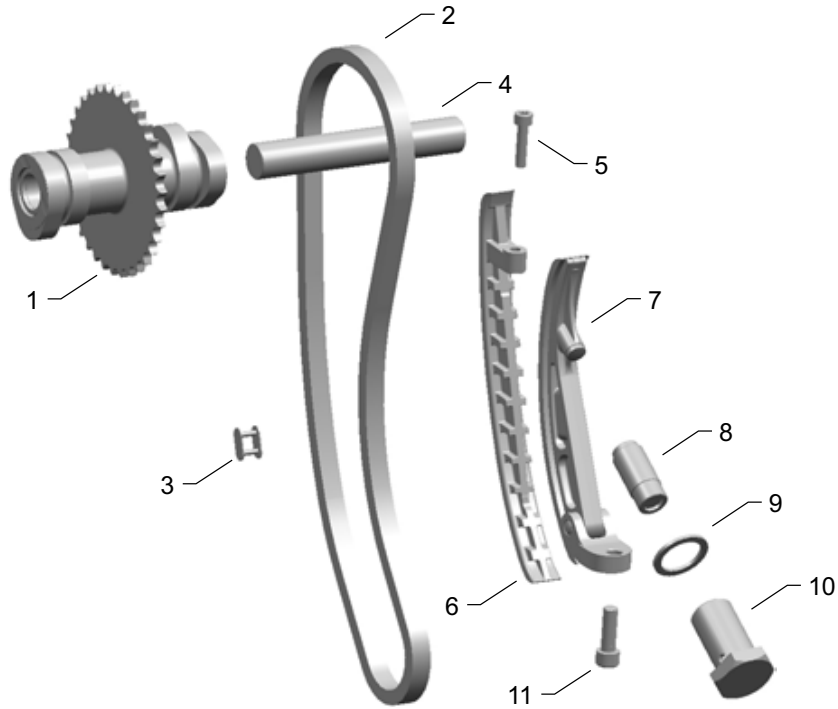
Part No	Description		QTY
102043	Shim	10x2.50	1
102044	Shim	10x2.55	1
102045	Shim	10x2.60	1
102046	Shim	10x2.65	1
102047	Shim	10x2.70	1
102048	Shim	10x2.75	1
102049	Shim	10x2.80	1
102050	Shim	10x2.85	1
102051	Shim	10x2.90	1
102029	Shim	10x2.95	1
102030	Shim	10x3.00	1
102052	Shim	10x3.05	1
102031	Shim	10x3.10	1
102032	Shim	10x3.15	1
102033	Shim	10x3.20	1
102034	Shim	10x3.25	1
102053	Shim	10x3.30	1
102035	Shim	10x3.35	1
102036	Shim	10x3.40	1
102037	Shim	10x3.45	1
102038	Shim	10x3.50	1
102039	Shim	10x3.55	1
102040	Shim	10x3.60	1
102041	Shim	10x3.65	1
102042	Shim	10x3.70	1

Pos.	Part No	Description	QTY
1	*	Shim	8
2	100129	Collet Valve	16
3	102316	Spring Cup	8
4	100081	Valve Spring	8
5	100658	Valve Stem Seal	8
6	100262	Spring Pad	8
7	102542	Intake Valve	4
8	100091	Exhaust Valve	4

\* See Table Valve Adjustment Shim



**040 Valve Train**



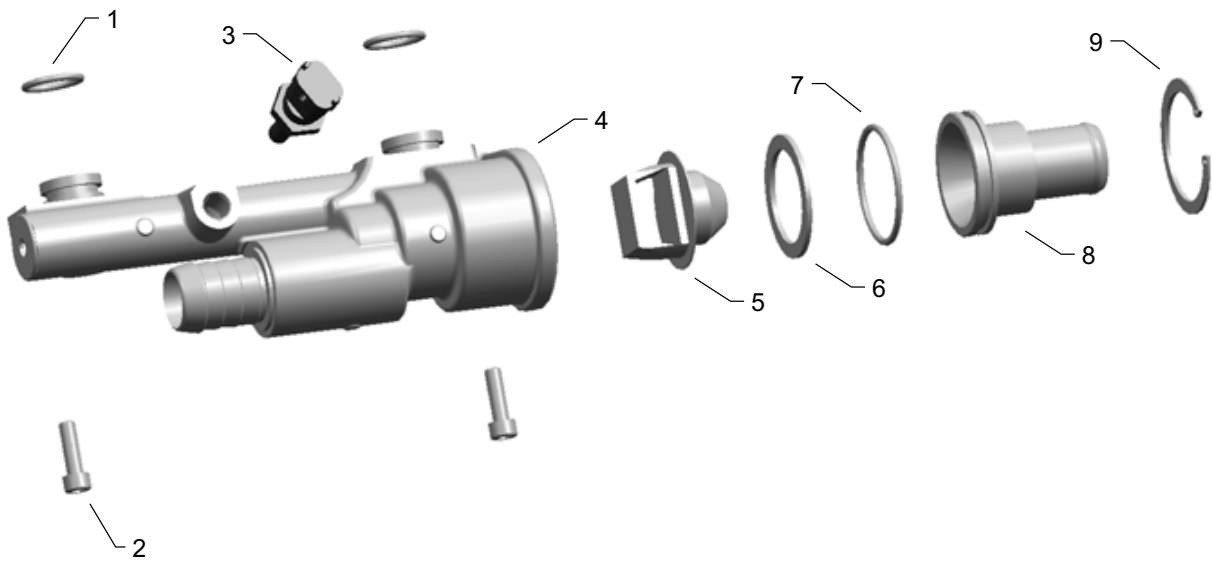
Pos.	Part No	Description	QTY
1	101921	Camshaft	1
2	100116	Timing Chain incl. Link	1
3	100557	Chain Link, Single	1
4	100078	Camshaft Axle	1
5	100502	Bolt M6x25 8.8	1
6	100069	Chain Rail	1
7	102456	Chain Guide	1
8	100079	Chain Tensioner	1
9	100436	Seal 24x32x2 Al	1
10	100337	Plug	1

Pos.	Part No	Description	QTY
11	100832	Bolt M8x25 10.9	1



050 Cooling System

01 Water Manifold

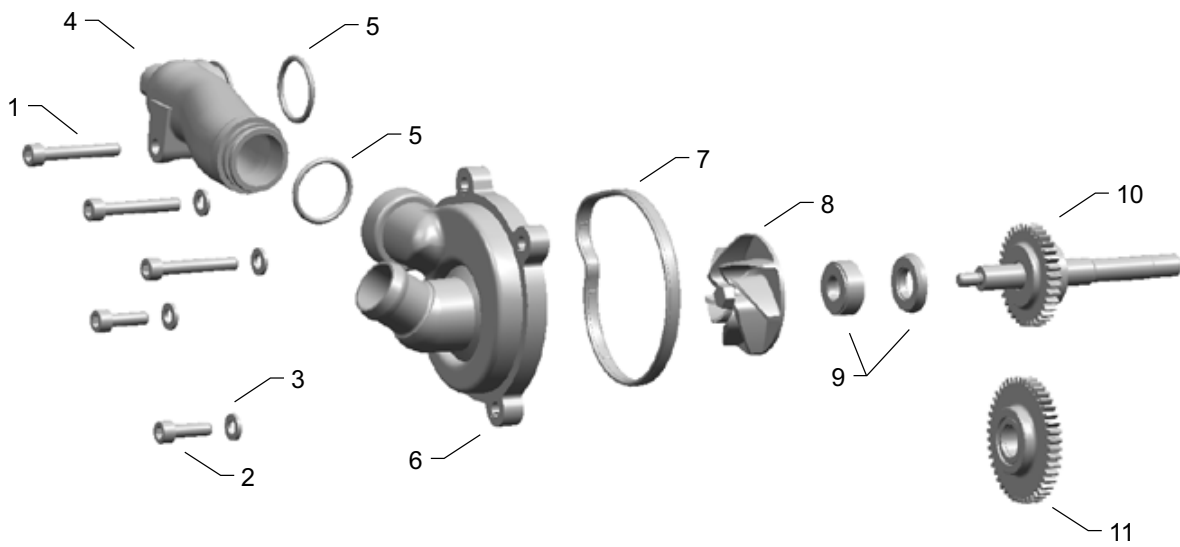


Pos.	Part No	Description	QTY
1	100517	O-Ring	2
2	100501	Bolt M6x20 8.8	2
3	*	Sensor Coolant Temperature	1
4	101076	Water Manifold	1
5	402430	Thermostat	1
6	401279	Distance Washer	1
7	100516	O-Ring	1
8	101253	Fitting	1
9	100294	Circlip	1

\* See Chapter Engine Management System

050 Cooling System

02 Water Pump

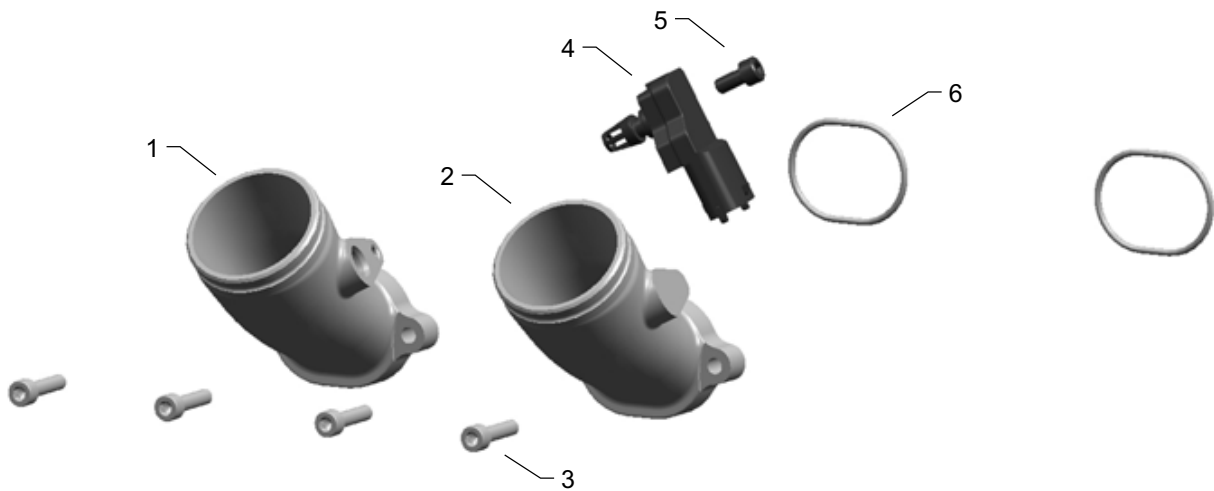


Pos.	Part No	Description		QTY
1	100826	Bolt	M6x40	3
2	100501	Bolt	M6x20 8.8	2
3	100448	Washer		4
4	102903	Water Tube		1
5	102454	O-Ring		2
6	102194	Water Pump Cover incl. Pos. 7		1
7	102427	Gasket		1
8	400180	Impeller Type 2		1
9	103743	Sealing Kit		1
10	102948	Water Pump Axle		1

Pos.	Part No	Description		QTY
11	102870	Intermediate Gear Water Pump		1



**070 Intake Area**



Pos.	Part No	Description	QTY
1	100823	Intake Fitting	1
2	101007	Intake Fitting	1
3	100502	Bolt M6x25 8.8	4
4	*	Pressure Sensor	1
5	*	Bolt M6x12	1
6	102651	O-Ring	2

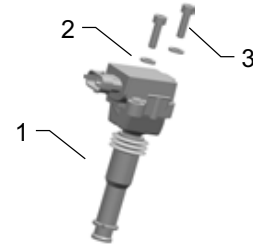
\* See Chapter Engine Management System

## 080 Engine Management System



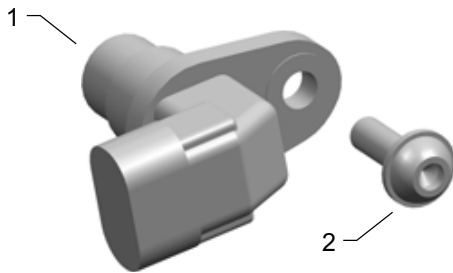
See Chapter Cylinder Head

Pos.	Part No	Description		QTY
1	104258	Spark Plug	RC7PYCBX	1



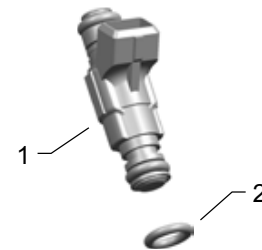
See Chapter Cylinder Head

Pos.	Part No	Description		QTY
1	100141	Ignition Coil		2
2	100448	Washer		4
3	100501	Bolt	M6x20 8.8	4



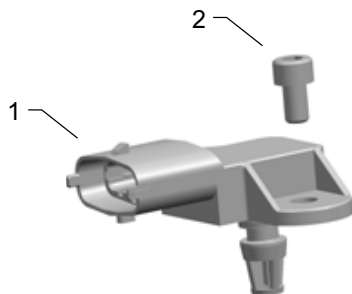
See Chapter Cylinder Head

Pos.	Part No	Description		QTY
1	100031	Sensor Camshaft		1
2	102021	Bolt	6x18	1



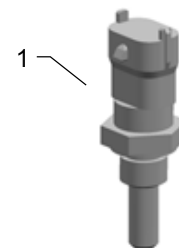
See Chapter Fuel Unit

Pos.	Part No	Description		QTY
1	102359	Injector incl. Pos. 2		2
2	100708	O-Ring		2



See Chapter Intake Area

Pos.	Part No	Description		QTY
1	102256	Pressure Sensor		1
2	403390	Bolt	M6x12	1

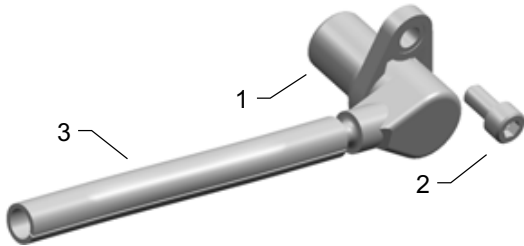


See Chapter Cooling System

Pos.	Part No	Description		QTY
1	100024	Sensor Coolant Temperature		1



**080 Engine Management System**



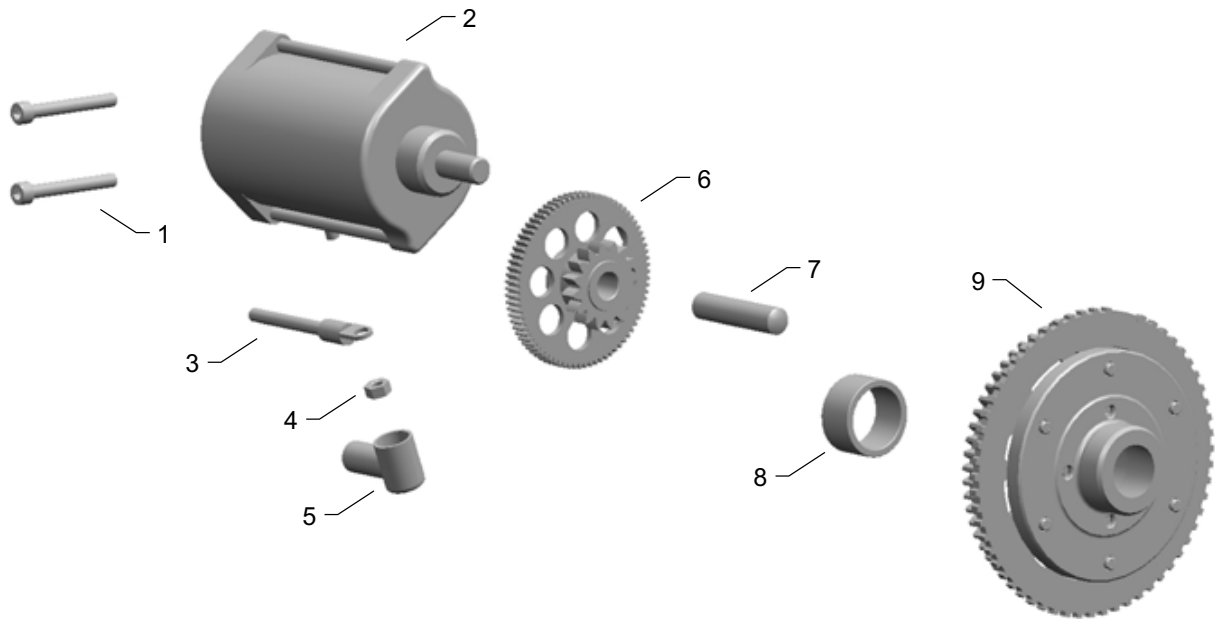
See Chapter Crankcase

Pos.	Part No	Description	QTY
1	100032	Sensor Crankshaft	1
2	101736	Bolt M6x12	1
3	100831	Conduit	1



090 Starter, Generator

01 Starter

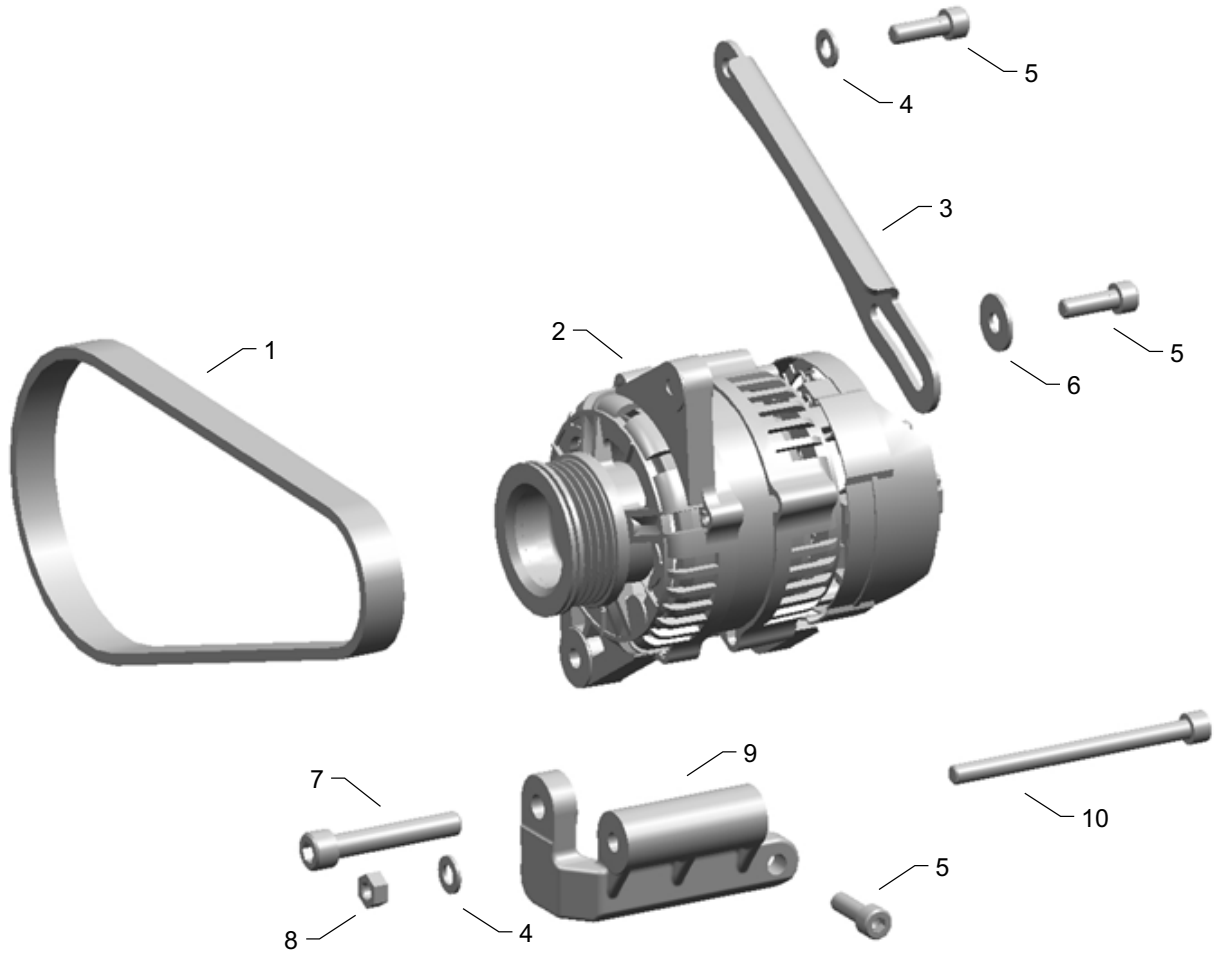


Pos.	Part No	Description		QTY
1	100545	Bolt	M6x50 8.8	2
2	100151	Starter		1
3	102263	Starter Lead		1
4	100835	Nut	M6	1
5	100388	Rubber Gromet		1
6	101261	Gear		1
7	101117	Axle		1
8	100565	Needle Bearing		1
9	401427	Overrun		1



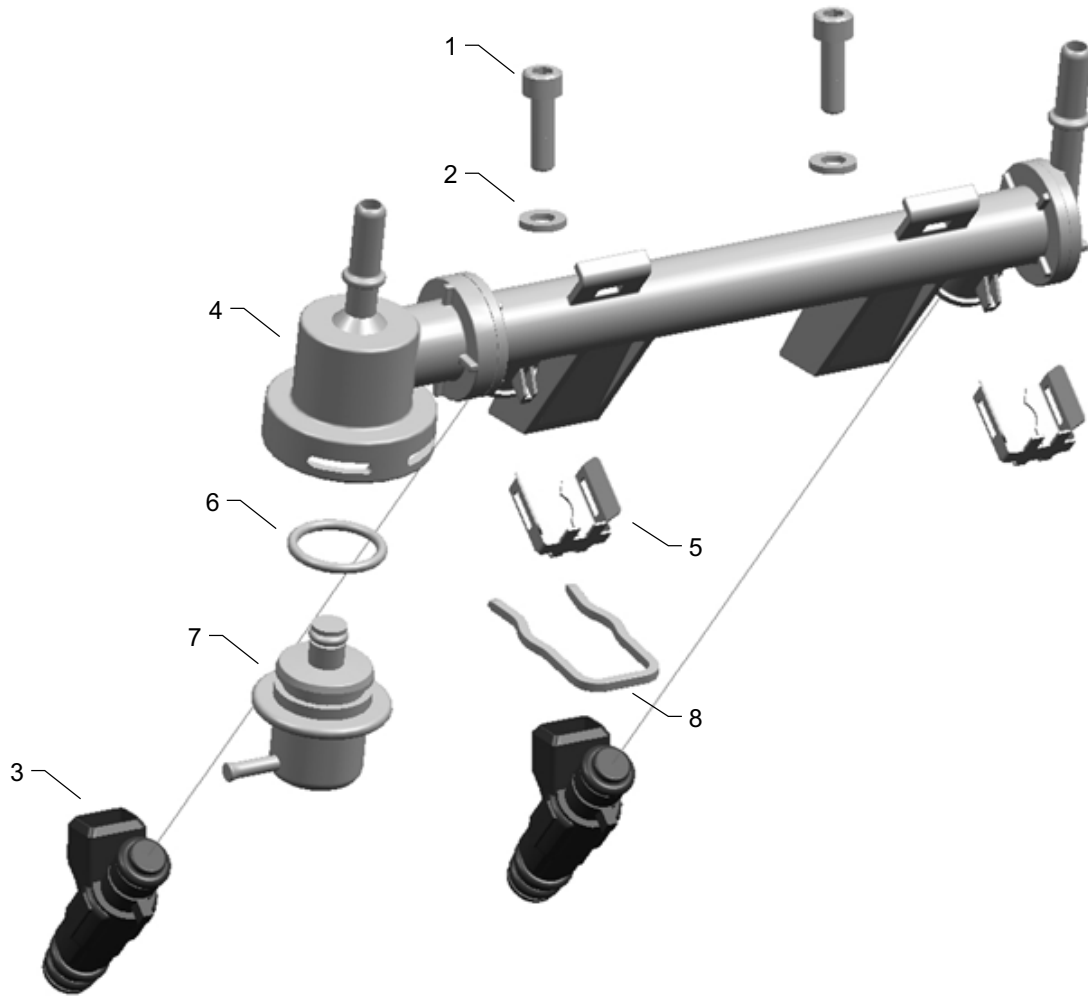
090 Starter, Generator

02 Generator



Pos.	Part No	Description	QTY	
1	103088	Belt	1	
2	402201	Alternator	1	
3	401192	Clamping Arm	1	
4	100468	Washer	2	
5	102490	Bolt	M8x25	3
6	101924	Washer		1
7	100525	Bolt	M10x60 8.8	1
8	102481	Nut	M8	1
9	101090	Alternator Bracket		1
10	102478	Bolt	M8x110 8.8	1

**100 Fuel Unit**



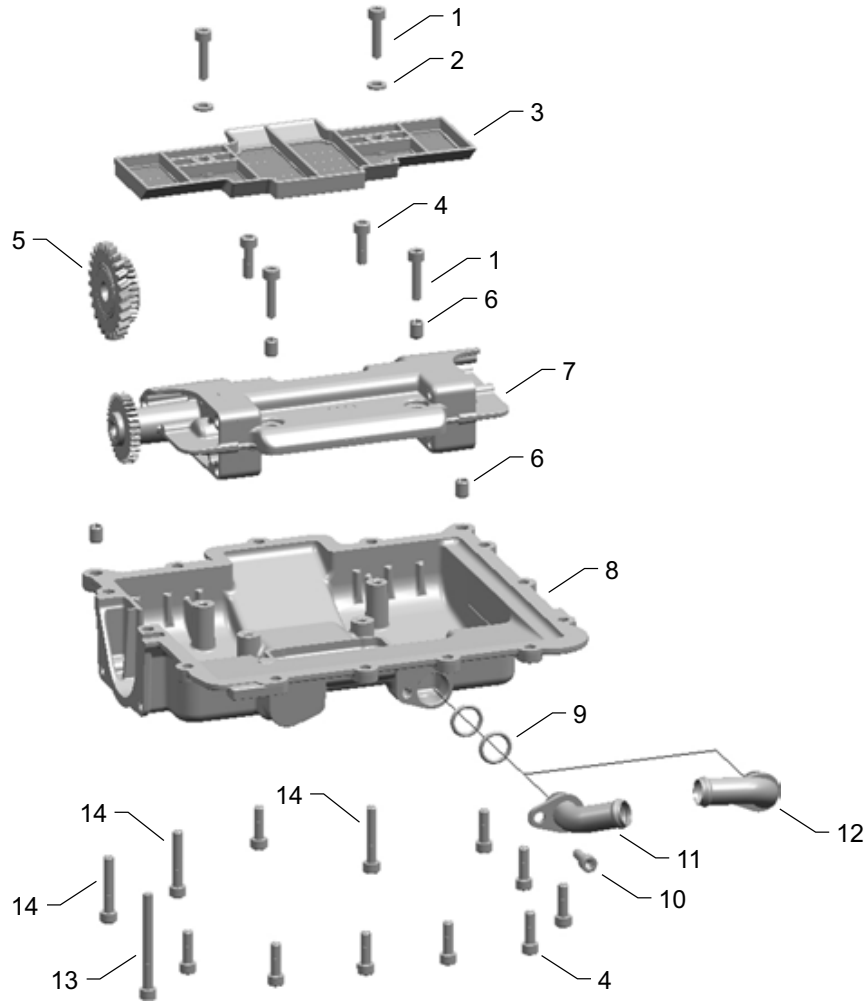
Pos.	Part No	Description	QTY
1	100447	Bolt M6x20	2
2	100448	Washer	2
3	*	Injector	2
4	103037	Fuel Rail	1
5	100431	Locking Clip	2
6	102927	O-Ring	1
7	103041	Fuel Pressure Regulator incl. Pos. 6	1
8	100364	Locking Clip	1

\* See Chapter Engine Management System



110 Lubrication System

01 Dry Sump



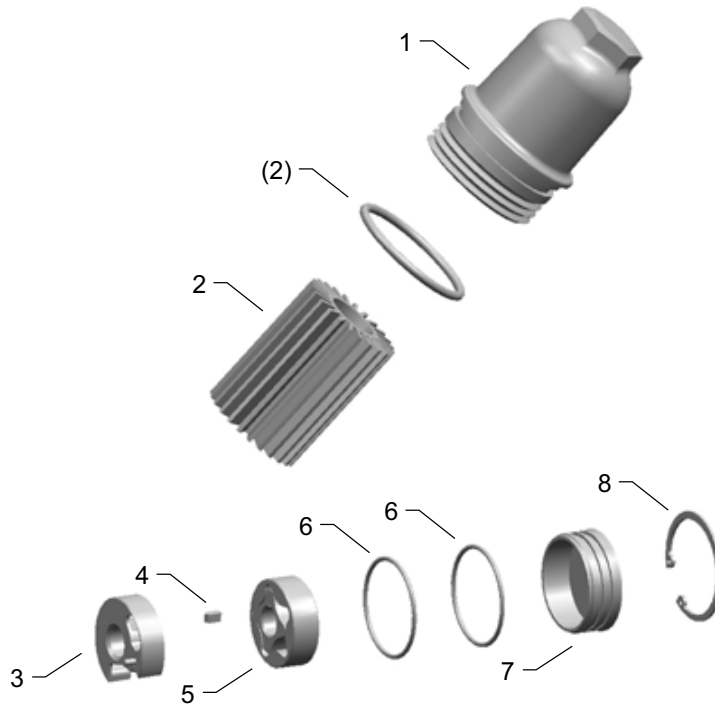
Pos.	Part No	Description		QTY
1	100502	Bolt	M6x25 8.8	4
2	100448	Washer		2
3	100195	Oil Screen		1
4	100501	Bolt	M6x20 8.8	11
5	401428	Intermediate Gear Suction Pump		1
6	100280	Sleeve		4
7	102225	Suction Pump		1
8	102243	Suction Pump Cover		1
9	100491	O-Ring		2
10	100507	Bolt	M6x16 8.8	1

Pos.	Part No	Description		QTY
Depending on delivery status Pos. 11 or Pos. 12				
11	102864	Connector		1
12	100492	Connector		1
13	100506	Bolt	M6x60 8.8	1
14	100505	Bolt	M6x35 8.8	3



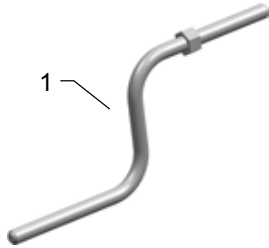
110 Lubrication System

02 Oil Filter, Oil Pump

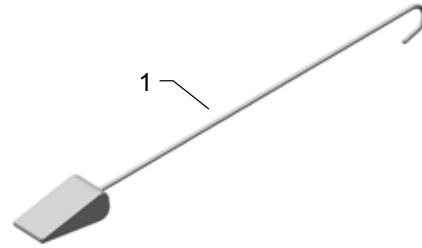


Pos.	Part No	Description	QTY
1	100071	Oil Filter Cover incl. Pos. 2	1
2	101109	Oil Filter	1
3	100137	Timing Insert	1
4	100293	Key	1
5	100275	Oil Pump	1
6	102398	O-Ring	2
7	100104	Oil Pump Cover	1
8	100294	Circleclip	1

**900 Special Tools**



Pos.	Part No	Description	QTY
1	401386	Hand Crank	1



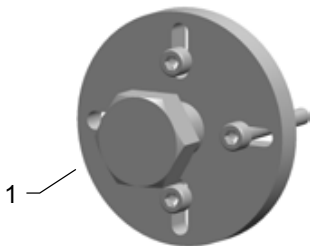
Pos.	Part No	Description	QTY
1	401370	Hook-Wedge	1



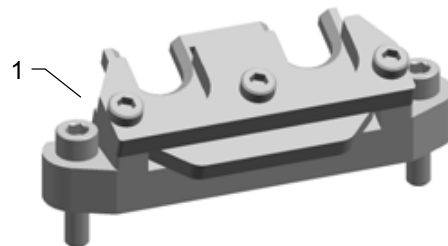
Pos.	Part No	Description	QTY
1	401401	Chain Tool	1



Pos.	Part No	Description	QTY
1	401402	Valve Installation Tool	1

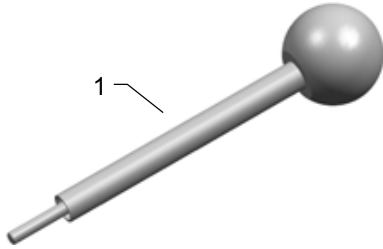


Pos.	Part No	Description	QTY
1	401355	Removal Tool	1

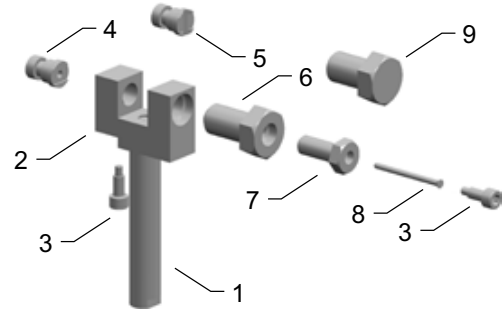


Pos.	Part No	Description	QTY
1	103330	Valve Adjustment Tool	1

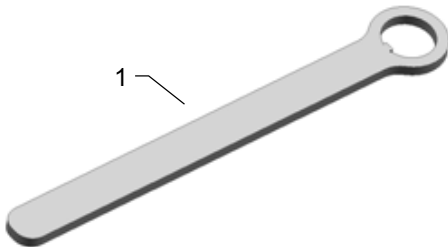
**900 Special Tools**



Pos.	Part No	Description	QTY
1	103609	Installation Spike Valve Stem Seal	1



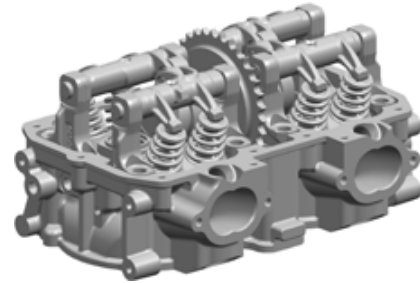
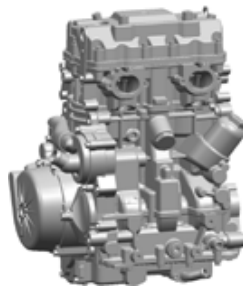
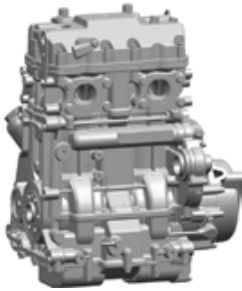
Pos.	Part No	Description	QTY	
1	103701	Chain Breaking Tool consisting of Pos. 2 - 9	1	
2	402921	Header	1	
3	401389	Bolt	M6x16 8.8	2
4	401376	Counterpart Break	1	
5	401377	Counterpart Rivet	1	
6	401378	Bolt	M16 12.9	1
7	401381	Bolt	M10x1 12.9	1
8	401383	Spike	1	
9	401391	Bolt	M16 12.9	1



Pos.	Part No	Description	QTY
1	401356	Crankshaft Counterholder	1



**910 Repair Kits**



Part No	Description	QTY
103321	Long Block Type 2	1

Long block with a black valve cover. Sub system parts like starter and fuel rail are not supplied.

Part No	Description	QTY
103335	Cylinder Head	1

The Repair Kit includes:

104249	Cylinder Head		1
100514	Bolt	M6x40 10.9	4
100094	Welch Plug		2
100228	Sleeve		8
101973	Rocker Arm Support 1		2
101974	Rocker Arm Support 2		2
100605	Bolt	M6x20 10.9	4
100091	Exhaust Valve		4
102542	Intake Valve		4
100262	Spring Pad		8
100081	Valve Spring		8
102316	Spring Cup		8
100129	Collet Valve		16
101921	Camshaft		1
100078	Camshaft Axle		1
102024	Rocker Arm Long		2
102023	Rocker Arm Short		2
100080	Rocker Axle		4
102992	Plug		2
102453	Stud	M8x38 8.8	8
400920	Fitting (total length 33mm)	M8x1x12	1
401990	Fitting (total length 38mm)	M8x1x17	1
100587	Seal	8x12x1 AI	2





## Overview of Revisions

New Revision Status	Revision Date	Chapter	Pos.	Modification	Notes
Rev1.1	15.11.2007	010 Crankcase 01 Case	4	Crankcase 103865 replaced by 104022	Parts in stock can be used for type 1.
Rev1.1	15.11.2007	010 Crankcase 01 Case	8	Fitting 102980 replaced by 401291. Please note! The Fitting is dependent on the crankcase type.	Parts in stock can be used for type 1. Spare parts for Fitting type 1 are available
Rev1.1	15.11.2007	020 Crank Drive	6	Con Rod 103359 replaced by 103974	Parts in stock can be used
Rev1.1	15.11.2007	050 Cooling System 01 Water Manifold	5	Thermostat 103575 70°C replaced by 402430 82°C	Weber Automotive GmbH recommends to only use thermostat 402430 82°C.
Rev1.1	15.11.2007	110 Lubrication System 01 Dry Sump	10	Connector 102864 replaced by 100492	Both connectors are available
Rev1.1	15.11.2007	910 Repair Kits		Long Blocks 103321 are only available for Crankcase Type 2. For more information see Chapter 010 Crankcase 01 Case.	
Rev1.2	14.05.2008	030 Cylinder head 03 Cylinder head	5	Cylinder Head 402206 replaced by 104249	Parts in stock can be used
Rev1.2	14.05.2008	910 Repair Kits		Repair Kit Cylinder Head 103567 replaced by 103335.	Parts in stock can be used
Rev1.2	14.05.2008	900 Special Tools		Chain Breaking Tool 103701: Header 402921 is new	
Rev1.2	14.05.2008	080 Engine Management System		Spark Plug RC7YC 103385 replaced by RC7PYCBX 103763	
Rev1.3	28.01.2009	080 Engine Management System		Spark Plug 103763 replaced by 104258.	Spark plugs aren't modified. Only a new box.
Rev1.3	28.01.2009	080 Engine Management System		Bolt M6x12 101736 at pressure sensor replaced by 403390.	101736 can be used at other places in the engine.
Rev1.3	28.01.2009	030 Cylinder head 01 Valve Cover	10	Engine Badge 402159 is new	



## Terminology

### A

Alternator 16  
Alternator Bracket 16

### B

Balance Shaft 4  
Bearing Shell Balance Shaft 4  
Belt 16

### C

Camshaft 9  
Camshaft Axle 9  
Chain Breaking Tool 21  
Chain Guide 9  
Chain Link 9  
Chain Rail 9  
Chain Tensioner 9  
Chain Tool 20  
Clamping Arm 16  
Collet Valve 8  
Con-Rod Bolt 4  
Con Rod 4  
Con Rod Bearing 4  
Crankcase 1  
Crankshaft 4  
Crankshaft Counterholder 21  
Cylinder Head 7  
Cylinder Head Gasket 7

### E

Engine Bracket 3  
Exhaust Valve 8

### F

Front Cover 3  
Fuel Pressure Regulator 17  
Fuel Rail 17

### G

Gear 15  
Generator Cover 3

### H

Hand Crank 20  
Hook-Wedge 20

### I

Ignition Coil 13  
Impeller 11  
Injector 13  
Installation Spike Valve Stem Seal 21  
Intake Fitting 12  
Intake Valve 8

### M

Main Bearing 4

### O

Oil Filter 19  
Oil Filter Cover 19  
Oil Pump 19  
Oil Pump Cover 19  
Oil Screen 18  
Oil Seal 1, 3  
Overrun 15

### P

Piston 4  
Pressure Sensor 13  
Pulley 4

### R

Removal Tool 20  
Repair Kit Cylinder Head 22  
Repair Kit Long Block 22  
Rocker Arm 6  
Rocker Arm Support 6  
Rocker Axle 6

### S

Sensor Camshaft 13  
Sensor Coolant Temperature 13  
Sensor Crankshaft 14  
Shim 8  
Spark Plug 13  
Spring Cup 8  
Spring Pad 8  
Starter 15  
Starter Lead 15  
Suction Pump 18  
Suction Pump Cover 18

### T

Thermostat 10  
Tie Rod 1  
Tie Rod Sleeve 1  
Timing Chain 9  
Timing Insert 19

### V

Valve Adjustment Tool 20  
Valve Cover 5  
Valve Cover Seal 5  
Valve Installation Tool 20  
Valve Spring 8  
Valve Steam Seal 8

### W

Water Manifold 10  
Water Pump Axle 11  
Water Pump Cover 11  
Welch Plug 1, 7



Manufacturer: Weber Automotive GmbH

Address: Otto-Lilienthal-Str.5  
88677 Markdorf  
Germany

Internet: [www.weber-automotive.com](http://www.weber-automotive.com)