

#### **LIMITED WARRANTY**

This boat is intended for pleasure use only. It is covered by a limited warranty which applies for defects and flaws, which may occur, despite normal use and regular maintenance, for a period of 2 years from the date of registration. Williams reserves the right to make warranty coverage contingent upon evidence of proper maintenance. Full warranty terms can be found on the inside back page of this handbook.

#### **GARANTIE LIMITÉE**

Ce bateau est destiné à un usage de plaisance. Il est couvert par une garantie limitée qui s'applique pour tous vices ou défauts qui pourraient se déclarer en dépit d'une utilisation normale et d'un entretien régulier, pendant une période de 2 ans à partir de la date d'enregistrement. La couverture sous garantie par Williams est applicable sous réserve d'un entretien régulier par un concessionnaire agréé, conformément au carnet d'entretien. Tous les termes de la garantie sont lisibles à la fin de ce manuel.

#### **IGARANZIA LIMITATA**

Questo tender è adibito ad uso ricreativo. È coperto da una garanzia limitata che copre eventuali difetti che si verificano nonostante un uso corretto del battello ed una manutenzione regolare, per un periodo di 2 anni dalla data di registrazione. La Williams Performance Tenders si riserva il diritto di riconoscere eventuali lavori in garanzia previa verifica di corretta e costante manutenzione. Le condizioni della garanzia sono contenute all'interno del manuale di manutenzione Williams.

#### **OGRANICENA GARANCIJA**

Ovo plovilo je namijenjeno isključivo za privatne svrhe. Pokriveno je ograničenom garancijom na kvarove koji mogu nastati usprkos normalnom korištenju i održavanju u periodu od 2 godine od dana registracije. Williams zadržava pravo reguliranja garancije ovisno o kvaliteti održavanja plovila. Uvjeti garancije se mogu naći na zadnjoj unutarnjoj strani priručnika.

#### **BESCHRÄNKTE GARANTIE**

Dieses Boot ist ausschließlich für Vergnügungszwecke vorgesehen und nicht für kommerzielle Zwecke. Die beschränkte Garantie deckt Fehler und Mängel im Rahmen der normalen Verwendung und regelmäßiger Wartung für einen Zeitraum von 2 Jahren, ab, beginnend mit dem Tag der Zulassung. Williams behält sich vor im Gewährleistungsfall vom Endverbraucher einen Nachweis über die erbrachten Wartungsarbeiten zu verlangen. Die ausführlichen Garantiebedingungen finden Sie auf der Rückseite des Service Handbuchs.

#### **GARANTIA LIMITADA**

Esta embarcación está diseñada únicamente para uso recreativo. La garantía limitada cubre defectos y faltas que se produzcan durante su uso normal y mientras se respeten los periodos de mantenimiento recomendado. Esa garantía limitada tiene una validez de 2 años a partir de la fecha del registro. Los términos de la garantía se pueden encontrar en la última página de este manual.

#### **SUPPLYING DEALER STAMP:**

#### **CACHET DU CONCESSIONNAIRE:**

#### **MARCA DI COMMERCIANTE ITALIANA:**

#### **PECAT OVLASTENOG ZASTUPNIKA:**

#### **HÄNDLER STEMPEL:**

#### **STAMPA DEL PROVVEDOOR:**



# OWNERS HANDBOOK

WILLIAMS

Williams Performance Tenders Ltd.

Vogue Business Park, Berinsfield, Oxfordshire, OX10 7LN, United Kingdom  
T: +44(0) 1865 341134 F: +44(0) 1865 341234 W: www.williamsmarine.com

**WILLIAMS**  
performance tenders

ENGLISH

PAGES  
3-9

FRANÇAIS

10-16

ITALIANO

17-23

HRVATSKI

24-30

DEUTSCH

31-37

ESPAÑOL

38-44

## CONGRATULATIONS ON YOUR CHOICE OF A WILLIAMS TURBOJET

This owner's handbook has been compiled to help you operate your Turbojet with safety and pleasure. It contains details of the boat and equipment fitted, together with information on its operation and maintenance. Please read it carefully, and familiarize yourself with the boat before using it.

The Williams Turbojet uses water jet propulsion. If this is your first boat or you are changing to a type of boat you are not familiar with, for your own safety, please ensure that you obtain handling and operating experience before assuming command of the boat. Your dealer, national sailing federation or yacht club will be pleased to advise you of sea schools, or competent instructors.

**The Turbojet is a high performance boat. Williams recommends a minimum standard of RYA level 2 or ICC (International certificate of competency) is attained by the operator prior to taking control of this boat. This manual assumes the operator has acquired this standard of qualification and possesses knowledge of basic seamanship.**

*Please keep this handbook in a secure place and hand it to the new owner when you sell the boat.*

Hull Identification  
Number (HIN):

## GENERAL SPECIFICATIONS

	J/T 285	T 325	T 385	T 445
<b>LOA</b>	2.85m	3.30m	3.85m	4.45m
<b>Beam</b>	1.64m	1.68m	1.74m	1.96m
<b>Dry weight</b>	260kg/286kg	296kg	340kg	395kg
<b>Height</b>	910mm	910mm	910mm	1.02m
<b>Max speed</b>	40mph/48-52mph	48-52mph	48-52mph	45mph
<b>Fuel capacity</b>	41 Litres	41 Litres	60 Litres	70 Litres
<b>Seating</b>	3 + 1	4 + 1	5 + 1	6 + 1

## ENGINE SPECIFICATIONS

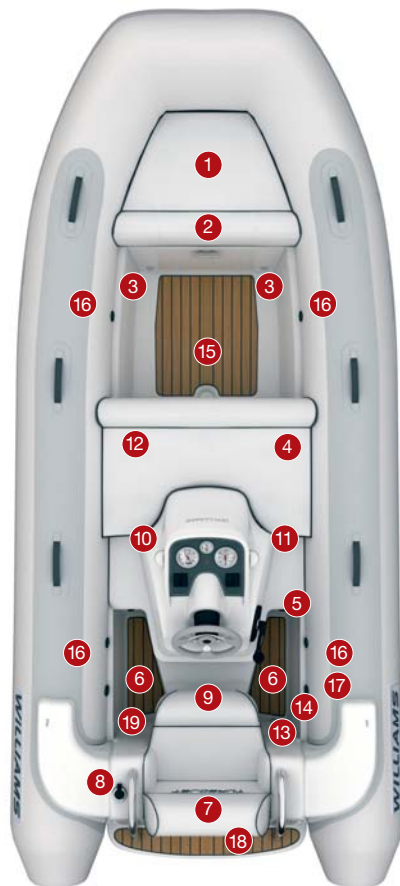
<b>Engine</b>	Weber MPE 750cc turbo
<b>Maximum power</b>	98hp/73kW at 7300rpm (66hp/50kW at 6300rpm)
<b>Fuel</b>	Premium unleaded gasoline 92-98 RON
<b>Oil grade</b>	0W40 to 15W50 fully synthetic
<b>Oil capacity</b>	3.5 litres maximum

## CLASSIFICATION

**Category C – “inshore”:** Craft designed for voyages in coastal waters, large bays, estuaries, lakes and rivers, where conditions up to and including wind force 6 and significant wave heights up to and including 2m may be experienced. *This boat complies with ISO 6185-3.* The HIN is located above jet nozzle below transom step. Record it in the service handbook. The CE plate is located in the starboard footwell. The CE plate is the certification to European Directive 94/25/CE.

## GENERAL ARRANGEMENT

1. Water tight storage
2. Mooring cleat
3. Front lifting points
4. Fuel filler (under seat)
5. Throttle/shift control
6. Rear lifting points
7. Ski tow (below seat)
8. Running light
9. Key switch and battery isolator (below seat)
10. Port navigation light
11. Starboard navigation light
12. Storage (below seat)
13. 12v auxiliary power/charge socket
14. CE certification plate
15. Drain plugs (one in forward footwell and one in each of the rear footwells)
16. Tube inflation valves
17. Over pressure valve
18. Hull Identification Number (HIN) (under platform)
19. Flushing attachment



## CONTROLS AND INSTRUMENT CLUSTER

1. Tachometer and hour meter
2. Low oil pressure warning light
3. Fuel gauge
4. Bilge pump switch
5. Speedometer
6. Exhaust temperature light
7. Navigation lights
8. Bilge blower switch
9. ECU malfunction light
10. Engine safety lanyard
11. Fuses (engine compartment)



## FUELLING

As part of its pre-delivery inspection your new Turbojet has been run and drained of fuel. When refuelling use only premium unleaded gasoline 92-98 RON.

- Ensure ignition is in OFF position.
- Remove seat cushion to expose filler cap. A key is provided to assist in filler cap removal.
- Re-fuel in a ventilated area.
- Do not overfill the tank; be careful not to spill fuel.
- Tighten fuel cap securely after re-fuelling.
- Open engine hatch and inspect bilges after re-fuelling.
- The filler cap has an integral breather.  
Do NOT hose around the fuel filler area as water may enter the fuel tank.

## BEFORE USE

Tube pressure will fluctuate with temperature. Inflate tubes in sequence to 250mB/3.6psi. Failure to observe this will compromise the sea-keeping ability and water tight integrity of the boat. Inflation valves are fitted with quarter-turn locks to enable rapid deflation.

- Set valves to shut and inflate tubes evenly.
- Check bilge for fuel or water contamination.
- Tighten footwell drain plugs.
- Check engine cover latches are secure.

## STARTING YOUR TURBOJET

Ensure boat is in a depth of at least 0.5m/2ft of water.

1. Turn on battery isolator.
2. Run bilge blower for 4 minutes.
3. Secure any loose ropes that could get sucked into jet unit.
4. Ensure shift lever is in central position.
5. **Connect safety lanyard to switch.**  
**ALWAYS attach yourself to the safety lanyard when engine is running.**
6. Turn ignition key until engine starts.
7. Engine RPM will automatically be limited until warm.



1. Battery isolator switch
2. Key switch
3. Circuit breaker

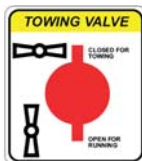
## OPERATING YOUR TENDER

This boat uses a water-jet propulsion system and has unique characteristics in steering. The throttle produces thrust from the jet pump, the directional control is provided by opening the throttle and turning the wheel in the direction of your turn. High thrust will turn the boat sharply; low thrust will produce less turning force. There is no rudder, so while underway there is no steering without thrust.

If weed or debris gets caught in the jet unit during use cavitation can occur causing a decrease in forward thrust. If this condition is allowed to continue the engine may overheat resulting in serious damage. If there is any sign of debris or weeds etc. blocking the jet, remove the boat from the water. Switch off battery isolator and remove all debris from around the jet unit. **DO NOT make repeated attempts to start a blocked or jammed tender as engine damage may result.** In case of difficulty consult your Williams approved dealer.

### TOWING

**CAUTION:** Risk of engine flooding exists. Towing valve fitted. Valve must be in the CLOSED position for towing and OPEN position for running. Failure to observe correct valve position will result in serious engine damage.



### MOORING

Do not leave the Turbojet moored for extended periods as this may result in an accumulation of marine growth and a loss of performance.

### BEACHING

**DO NOT operate in less than 0.5m/2ft of water as debris may enter the jet unit. DO NOT drive turbojet onto beach.** Stop engine before beaching as damage to pump/engine cooling may occur.

After beaching move boat into deeper water and tilt from side to side several times to remove sand from intake area – failure to do so could cause damage to jet unit.

### TRIM

Do not overload the boat. At all speeds be aware of trim and keep weight evenly distributed.

### GENERAL

Operate the boat with due care and at a speed appropriate to the sea conditions. Always carry out a visual check of the boat and its components prior to use. Adhere to the maintenance/service schedule as detailed in the service manual.

## WARNING LIGHTS

### 1. EXHAUST TEMPERATURE

This lamp will illuminate if the open loop coolant supply is restricted.

After restarting a hot engine it is normal for the lamp to stay on for up to 30 seconds. If the lamp stays on for longer than 30 seconds or comes on when engine is above idle, **STOP** the engine and check for restriction in coolant system (debris in pump/pipes).



### 2. ECU MALFUNCTION

This lamp will illuminate if there is a fault with the engine management system. If this occurs **STOP** the engine and refer to Williams approved dealer.

### 3. LOW OIL PRESSURE

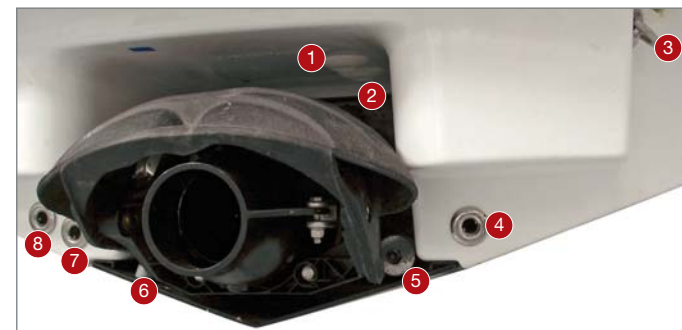
If this illuminates, **STOP** the engine and refer to Williams approved dealer.

## AFTER USE: FLUSHING PROCEDURE

**To prolong engine life it is very important to flush engine of salt water after use and prior to storage. Failure to carry out flushing will significantly reduce the life of engine components. DO NOT operate throttle out of water. Engine MUST be running before water is connected. Risk of engine flooding exists if water remains on after engine is switched off.**

1. Remove the boat from the water everyday and wash entire boat/jet pump with fresh water.
2. Connect a fresh water hose fitted with the male connector supplied with the tender to the coupling.
3. Start engine and immediately turn on water supply.
4. Run engine at idle for approximately 1 minute to completely flush the open loop cooling system.
5. Turn off water supply.
6. Allow the engine to run for no longer than 10 seconds for all water to exit from the cooling system, then turn off the engine. Remove hose connector from transom coupling.
7. Check bilge of boat and dry any residual water. Remove footwell drain plugs.

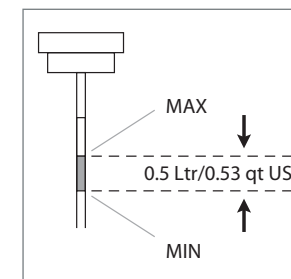
1. Bilge outlet
2. Open loop coolant overflow
3. Fuel spill overflow
4. Right hand rear footwell drain
5. Pump anode
6. Ride plate anode
7. Left hand rear footwell drain
8. Front footwell drain



## OIL LEVEL CHECK

The Weber engine is a 'dry sump' type engine, with a separate oil tank. When the engine is started oil is pumped into the tank. After the engine has run, oil will slowly return from the tank to the sump. **The engine must be at operating temperature before an accurate level is indicated on the dip-stick.**

The oil level should be between MIN and MAX on the dipstick. Do not screw in cap to check level. Use the correct grade of oil. Do not overfill.



## SERVICING

The important post run-in 1st service is required at 25 hours. Thereafter servicing is required every 50 hours or yearly whichever comes first. Consult your Williams approved dealer for servicing. Refer to the Williams service manual for periodic engine maintenance.

For parts and accessories please contact your Williams approved dealer.

## BOAT SYSTEM ARRANGEMENT



- |                                  |                           |
|----------------------------------|---------------------------|
| 1. Fuel pump and level sender    | 6. Oil tank               |
| 2. Fuel return                   | 7. Battery                |
| 3. Fuel feed                     | 8. Throttle linkage       |
| 4. Fuel filter                   | 9. Shaft seal lubrication |
| 5. Closed loop coolant reservoir | 10. Towing valve          |

## SHAFT SEAL LUBRICATION

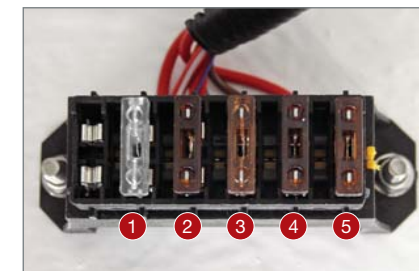
Shaft seal lubrication is provided by an automatic grease unit. Inspect reservoir level approximately every 10 hours of operation. Use Quicksilver marine 2-4-C grease or equivalent high temperature, high speed bearing grease to re-fill reservoir. Take care not to over-pressurise system. DO NOT exceed maximum level indication.



## FUSE IDENTIFICATION

Fuses located under helm station.

1. 12 volt socket – 25 amp
2. Bilge pump float switch – 7.5 amp
3. Navigation lights – 5 amp
4. Bilge pump switch – 5 amp
5. Blower – 7.5 amp



## FUEL SYSTEM CHECK

**WARNING – pressurised fuel system. Inspect system for leaks at scheduled service intervals. All elements of the fuel system function under pressure (5 bar). The system remains pressurised after engine is switched off. Extreme care must be taken when removing quick connectors during filter change. Wear eye protection. No naked flames.**

## ROUTINE MAINTENANCE

To ensure long service life and to maintain the tender in a safe and reliable condition please follow these routine maintenance instructions. Williams cannot accept any responsibility for damage or injury resulting from incorrect maintenance or improper adjustment carried out by the owner.

1. Inspect automatic grease unit reservoir and refill as required.
2. Check engine oil level (refer to section *Oil Level Check* in this handbook).
3. Check coolant level.
4. Flush open loop cooling system.
5. Apply a good quality marine grease containing Teflon (e.g. Quicksilver 101) to all control cables both under the helm and at the pump.
6. Check bilges for water ingress, oil or fuel contamination.
7. Lightly grease the extending running light pole using white grease or similar.
8. Check condition of the 2 pump anodes.
9. Loss of tube pressure over 24 hours is not unusual. Temperature and atmospheric pressure will affect tube pressures. Check pressures regularly.

## WINTER STORAGE

Refer to the Williams service manual for winterisation procedures.

## FELICITATIONS POUR AVOIR CHOISI UN WILLIAMS TURBOJET

Ce manuel du propriétaire permettra d'utiliser votre Turbojet en toute sécurité et avec un maximum de plaisir. Il contient un descriptif détaillé du bateau et de ses équipements ainsi que des informations sur son fonctionnement et son entretien. Prenez le temps de le lire attentivement pour vous familiariser avec votre nouveau bateau avant de l'utiliser.

Le Turbojet WILLIAMS est équipé d'un mode de propulsion à jet d'eau. S'il s'agit de votre premier bateau ou que vous ne soyez pas familiarisé avec celui-ci, assurez vous d'acquérir l'expérience nécessaire à son pilotage et à son fonctionnement avant d'en assumer le commandement. Votre concessionnaire, la Fédération Française de Voile ou le Yacht Club local, vous indiqueront les coordonnées d'écoles de navigation compétentes.

**Le Turbojet est un bateau doté de hautes performances. Williams recommande qu'une qualification minimum telle que RYA niveau 2, permis A ou mer, ou certificat international de Compétence, soit acquise par l'utilisateur avant d'en prendre le contrôle. Ce manuel considère que l'utilisateur ait acquis cette qualification et possède les connaissances de base du marin.**

**Merci de conserver ce manuel en bonne place et de le faire suivre au nouveau propriétaire en cas de revente du bateau.**

Identification de la coque  
Numéro de série (HIN)

## CARACTÉRISTIQUES GÉNÉRALES

	J/T 285	T 325	T 385	T 445
<b>Longueur</b>	2.85m	3.30m	3.85m	4.45m
<b>Largeur</b>	1.64m	1.68m	1.74m	1.96m
<b>Poids à vide</b>	260kg/286kg	296kg	340kg	395kg
<b>Hauteur</b>	910mm	910mm	910mm	1.02m
<b>Vitesse</b>	40mph/48-52mph	48-52mph	48-52mph	45mph
<b>Carburant</b>	41 Litres	41 Litres	60 Litres	70 Litres
<b>Personnes</b>	3 + 1	4 + 1	5 + 1	6 + 1

## CARACTÉRISTIQUES MOTEUR

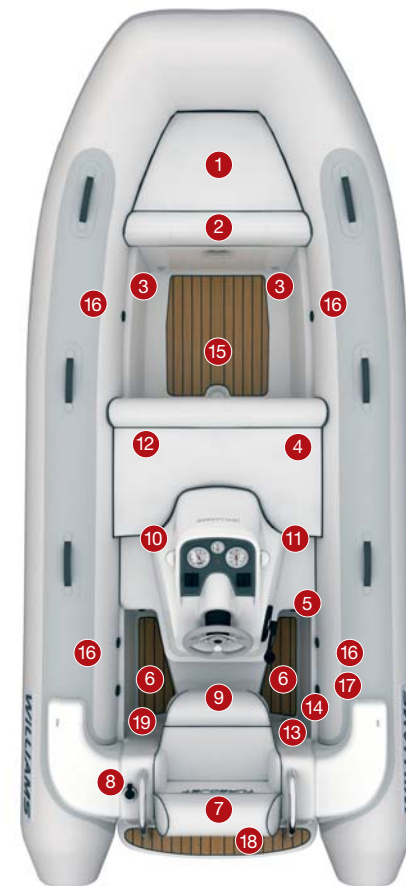
<b>Moteur</b>	Weber MPE 750cc turbo
<b>Puissance maximum</b>	98hp/73kW à 7300rpm (66cv/50kW à 6300rpm)
<b>Fuel</b>	Carburant sans plomb 95-98 RON
<b>Viscosité huile</b>	OW50 à 15W50 100% synthétique
<b>Capacité huile</b>	3.5 litres maximum

## CATÉGORIE DE CONCEPTION

**Catégorie C – "à proximité des côtes"**: Navires de plaisance conçus pour la navigation à proximité des côtes et dans de grandes baies, de grands estuaires, lacs et rivières, au cours desquels les vents peuvent aller jusqu'à la force 6 comprise et les vagues peuvent atteindre une hauteur significative jusqu'à 2 mètres compris. *Ce bateau est conforme à la norme ISO 6185-3.* Le numéro d'identification de la coque se trouve sous la plateforme arrière. Notez le dans le manuel d'entretien. La plaque CE se trouve sur le franc bord arrière tribord. La plaque CE certifie la conformité à la Directive 94/25/CE.

## AMÉNAGEMENT GÉNÉRAL

1. Coffre étanche
2. Taquet d'amarrage
3. Points de levage avant
4. Orifice de remplissage carburant (sous le coussin)
5. Boîtier de commande accélération/inverseur
6. Points de levage arrière
7. Anneau de traction ski nautique (sous le siège)
8. Feu blanc de route
9. Contacteur à clef et coupe batterie (sous le siège)
10. Feu de navigation bâbord
11. Feu de navigation tribord
12. Coffre (sous le coussin)
13. Prise auxiliaire 12V alimentation/charge
14. Plaque CE
15. Nables de vidange (un dans le plancher avant et un dans chaque plancher arrière)
16. Valves de gonflage
17. Valve de surpression
18. Numéro de série HIN (sous la plateforme)
19. Raccord mâle de rinçage



## COMMANDES ET INSTRUMENTATION

1. Compte tours et compteur d'heure
2. Indicateur lumineux d'avertissement de pression d'huile insuffisante
3. Jauge carburant
4. Pompe de cale
5. Compteur de vitesse
6. Voyant de température d'échappement
7. Feux de navigation
8. Interrupteur de ventilation de cale
9. Indicateur lumineux de mauvais fonctionnement de l'ECU
10. Cordon coupe circuit de sécurité
11. Fusibles (compartiment moteur)



## REPLISSAGE CARBURANT

Lors de l'inspection de pré livraison en usine, votre nouveau Turbojet a été mis en route et vidangé de son carburant. Quand vous remettez du carburant, utilisez uniquement du sans plomb 95-98 RON.

- Assurez vous que le contact soit coupé.
- Enlevez le coussin du siège pour atteindre le bouchon de remplissage. Une clef est fournie pour faciliter le dévissage du bouchon.
- Ravitaillez en carburant dans un endroit ventilé.
- Ne faites pas déborder le réservoir, prenez garde de ne pas renverser d'essence.
- Assurez vous d'avoir bien serré le bouchon de réservoir après remplissage.
- Ouvrez le capot moteur et inspectez les fonds de cale après le remplissage.
- Le bouchon de remplissage possède une mise à l'air intégrale.  
Ne pas laver au jet d'eau autour de la zone de remplissage carburant car l'eau pourrait rentrer dans le réservoir.

## AVANT UTILISATION

La pression du tubulaire varie en fonction de la température de l'air. Gonfler les compartiments du tubulaire à 250 mb (3.6 psi) en suivant l'ordre indiqué sur les valves. Le non respect de cette consigne compromettrait la tenue en mer et l'étanchéité intégrale du bateau. Les clapets des valves de gonflage sont de type quart de tour, permettant un dégonflage rapide.

- Vérifiez que les clapets de valves sont fermés et gonflez les tubulaires de façon égale.
- Contrôlez qu'il n'y ait pas d'eau ou d'essence dans les fonds de cale.
- Mettez en place et bloquez les bouchons de nable.
- Contrôlez que les loquets de fermeture du capot moteur soient bloqués.

## DÉMARRER VOTRE TURBOJET

Assurez vous que la profondeur d'eau sous le bateau soit au moins de 0.50 mètre.

1. Tourner la clef du coupe batterie pour mettre en tension le circuit.
2. Ventiler la cale moteur en actionnant le blower pendant 4 minutes.
3. S'assurer qu'aucun cordage ne puisse être aspiré dans la turbine du jet.
4. Mettre le levier de commande en position centrale.
5. **Brancher le cordon de sécurité au coupe circuit. Attachez toujours le cordon de sécurité à votre bras ou à votre jambe lorsque le moteur est en marche.**
6. Tourner la clef de contact jusqu'au démarrage du moteur.
7. Quand le moteur est froid, le régime moteur est automatiquement limité.



1. Clef coupe batterie
2. Clef de contact
3. Coupe circuit

## UTILISER VOTRE ANNEXE

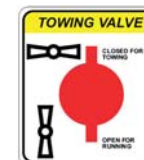
Ce bateau utilise un système de propulsion à jet d'eau qui lui confère des caractéristiques particulières sur le plan de la conduite. L'accélération produit une poussée de la turbine du jet, le contrôle directionnel se fait en accélérant et en tournant le volant dans le sens de votre virage. Une forte poussée fera tourner le bateau brusquement, une faible poussée produira moins de force en virage. Il n'y a pas de gouvernail, il faut obligatoirement de la poussée pour avoir de la manoeuvrabilité.

Si des algues ou des débris se prennent dans la turbine pendant l'utilisation, un phénomène de cavitation peut survenir, causant une perte de poussée. Si cette situation se prolonge, le moteur peut surchauffer et entraîner de graves problèmes mécaniques. S'il y a des signes de débris, algues, etc, obstruant la turbine, il faut sortir le bateau de l'eau.

Coupez la batterie et enlevez tous les débris du bloc de propulsion jet. En cas de difficultés, contactez votre concessionnaire Williams. Ne pas essayer de redémarrer si le moteur force ou semble bloqué car cela pourrait gravement l'endommager.

### REMRORQUAG

**ATTENTION:** Le risque de noyer le moteur existe. Installer la vanne de remorquage. La vanne doit être fermée pour le remorquage et ouverte pour la navigation de l'annexe. Une mauvaise utilisation de la position de cette vanne entraine de sérieux dommages sur le moteur.



### MOUILLAGE

Ne laissez pas votre Turbojet au mouillage pour de longues périodes afin d'empêcher l'apparition d'algues et coquillages qui diminueraient les performances.

### ACCOSTER SUR LA PLAGE

Ne pas manoeuvrer dans moins de 0.50mètre d'eau car des débris pourraient entrer dans la turbine.

Ne pas faire tourner le moteur sur la plage. Coupez le moteur avant d'atteindre la plage pour éviter d'endommager la turbine et le circuit ouvert de refroidissement moteur. En repartant, poussez le bateau dans plus de 0.50 mètre d'eau et inclinez le d'un bord à l'autre pour enlever le sable de l'écope d'aspiration. Le non respect de cette procédure peut endommager le bloc de propulsion jet.

### RÉGLAGE DE L'ASSIETTE

Ne pas surcharger le bateau. A toutes les vitesses, soyez conscient de l'assiette du bateau et gardez une répartition des poids équilibrée.

### GÉNÉRALITÉS

Adaptez une conduite responsable et une vitesse appropriée à l'état de la mer. Faites toujours un contrôle visuel du bateau et de ses équipements avant de l'utiliser. Respectez le programme de révision détaillé dans le manuel d'entretien.

## TÉMOINS D'AVERTISSEMENT

### 1. TEMPÉRATURE D'ÉCHAPPEMENT

Le témoin s'allumera si l'alimentation du circuit de refroidissement est obstruée. Lorsque le moteur est chaud, il est normal qu'au redémarrage le témoin puisse rester allumé pendant 30 secondes. Si le témoin reste allumé plus de 30 secondes ou s'allume quand le moteur est au dessus du ralenti, **ARRÊTER** le moteur et vérifier ce qui peut obstruer le système de refroidissement (débris dans la turbine/durites).

### 2. FONCTIONNEMENT DÉFECTUEUX DE L'ECU

Ce témoin s'allume s'il y a un problème avec le système de gestion moteur. Si cela se produit, **ARRÊTER** le moteur et s'adresser au concessionnaire Williams.

### 3. PRESSION D'HUILE INSUFFISANTE

Si ce témoin s'allume, **ARRÊTER** le moteur et s'adresser au concessionnaire Williams.

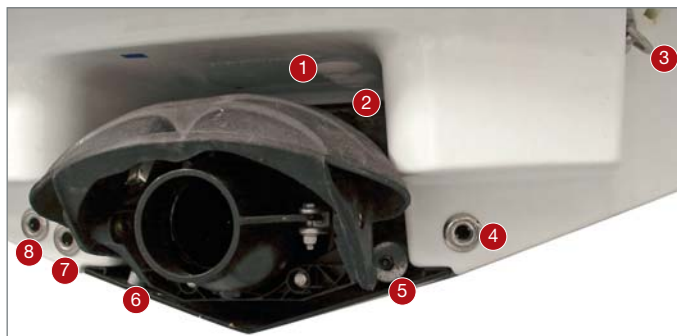


## APRÈS UTILISATION: PROCÉDURE DE RINÇAGE

Afin de prolonger la vie du moteur, il est très important de rincer le moteur à l'eau douce pour évacuer le sel après utilisation et avant stockage. L'absence de rinçage à l'eau douce réduira de manière importante la durée de vie des pièces du moteur. **Le moteur doit être en marche avant de connecter l'eau. Il y a un risque de noyer le moteur si l'eau continue d'arriver après que le moteur soit arrêté.**

- Sortir le bateau de l'eau tous les jours et rincer entièrement le bateau et la turbine à l'eau douce.
- Connecter un tuyau d'eau douce équipé du raccord male fourni avec l'annexe au raccord femelle fixé sur le bateau.
- Démarrer le moteur et ouvrir l'eau immédiatement.
- Faire tourner le moteur au ralenti pendant 1 minute environ afin de rincer complètement le circuit de refroidissement ouvert.
- Couper l'eau.
- Laisser tourner le moteur pendant 10 secondes au maximum pour évacuer toute l'eau du système de refroidissement, puis arrêter le moteur. Débrancher le tuyau d'eau du raccord male fixé sur le tableau arrière.
- Vérifier les fonds de cale du bateau et sécher toute eau résiduelle. Enlever les bouchons de nable du plancher.

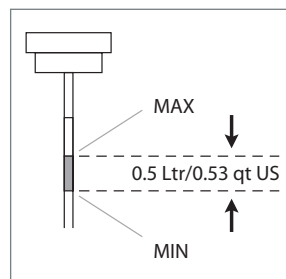
- Evacuation pompe de cale
- Sortie d'eau du refroidissement ouvert
- Trop plein de carburant
- Vidange du nable arrière tribord
- Anode de turbine
- Anode de plaque
- Vidange du nable arrière bâbord
- Vidange du nable avant



## VERIFICATION NIVEAU D'HUILE

Le moteur Weber est un moteur à carter sec avec un réservoir séparé. Quand le moteur est en marche, l'huile est pompée directement dans le réservoir. Après que le moteur ait marché, l'huile retournera doucement du réservoir au carter. **Le moteur doit être à température de fonctionnement avant que le niveau exact soit indiqué sur la jauge.**

Le niveau d'huile doit être entre MIN et MAX sur l'indicateur de jauge. Ne pas visser le capuchon pour vérifier le niveau d'huile. Utiliser le niveau d'huile correct. Ne pas trop remplir.



## RÉVISION

La première révision après rodage est très importante et s'effectue après 25 heures d'utilisation. La prochaine révision s'effectue après 50 heures ou une fois par an. Contactez votre concessionnaire Williams pour effectuer l'entretien de votre Turbojet. Consultez le manuel d'entretien Williams pour la maintenance périodique du moteur.

Contactez votre concessionnaire Williams pour les pièces détachées et accessoires.

## DISPOSITION DES ÉLÉMENTS MÉCANIQUES DU BATEAU



- Pompe carburant et sonde de niveau de carburant
- Durite de retour carburant
- Durite d'alimentation carburant
- Filtre essence
- Réservoir de liquide de refroidissement du circuit fermé
- Réservoir d'huile
- Batterie
- Liaison du câble d'accélérateur
- Joint d'étanchéité du palier d'arbre
- Vanne de remorquage

## JOINT D'ÉTANCHÉITÉ DU PALIER D'ARBRE

La lubrification du joint d'arbre de transmission est faite par une pompe à graisse automatique. Contrôler le niveau de réservoir toutes les 10 heures. Utiliser de la graisse marine Quicksilver 2-4-C ou l'équivalent pour compléter le réservoir. Faire attention à ne pas provoquer une suppression du système. Ne jamais dépasser le niveau maximum.

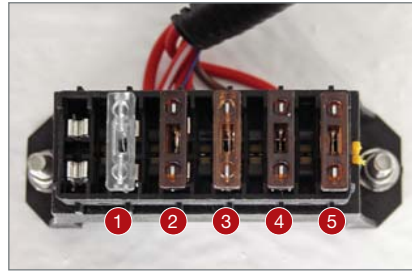




## IDENTIFICATION DES FUSIBLES

Les fusibles sont situés sous la console.

1. Prise 12V: fil rouge/blanc – 25 Amp
2. Flotteur de pompe de cale: fil bleu/rouge – 7.5 Amp
3. Feux de navigation: fil orange – 5 Amp
4. Pompe de cale: fil vert/rouge – 5 Amp
5. Blower: fil marron – 7.5 Amp



## CONTRÔLE DU CIRCUIT DE CARBURANT

**Attention ! Circuit carburant haute pression. Contrôler régulièrement le circuit de carburant entre chaque révision. Tous les éléments du circuit de carburant fonctionnent à une pression de 5 bars. Le circuit reste sous pression après l'arrêt du moteur. Une extrême précaution doit être prise lors du remontage des prises rapides du filtre à essence. Porter des lunettes de protection. Pas de flamme.**

## ENTRETIEN QUOTIDIEN

**Afin de profiter pendant de nombreuses saisons de votre annexe et d'en maintenir la sécurité et la fiabilité, nous vous conseillons de suivre ces instructions d'entretien quotidien : Williams ne peut être tenu responsable pour tout dommage ou blessure résultant d'un entretien défectueux ou d'un mauvais réglage effectué par le propriétaire.**

1. Contrôler le réservoir de graissage automatique et re-remplir si nécessaire.
2. Vérifier le niveau d'huile (Se référer au paragraphe « contrôle des niveaux » dans ce manuel).
3. Vérifier le niveau de liquide de refroidissement.
4. Rincer à l'eau douce le circuit de refroidissement ouvert.
5. Appliquer une graisse de bonne qualité contenant du Téflon (e.g. Quicksilver 101) sur tous les câbles de commande, sous la console et sur le jet.
6. Vérifier qu'il n'y ait pas d'entrée d'eau, de fuite d'huile ou d'essence dans les fonds de cale.
7. Lubrifier le feu blanc sur mat télescopique à l'aide de graisse blanche ou équivalent.
8. Vérifier l'état d'usure des deux anodes.
9. La perte de pression du tubulaire après 24 heures n'est pas anormale. La température et la pression atmosphérique entraînent une variation de la pression du tubulaire. Vérifier régulièrement la pression de gonflage.

## HIVERNAGE ET STOCKAGE

Consulter le manuel d'entretien Williams pour la procédure d'hivernage.

## CONGRATULAZIONI PER AVER SCELTO UN TURBOJET WILLIAMS

Questo manuale del Proprietario è stato stilato al fine di aiutarvi ad utilizzare il vostro tender in piena sicurezza. Il manuale contiene dettagli sul battello e sugli accessori inclusi insieme ad informazioni sulle prestazioni e sulla manutenzione. Per favore, leggere attentamente e familiarizzare con il battello prima di usarlo.

Il Turbojet Williams utilizza la propulsione jet ad acqua. Se questo è il vostro primo battello, o se siete passati ad esso senza avere familiarità con questo tipo di tender, per la vostra stessa sicurezza, per favore assicuratevi di avere la preparazione e l'esperienza adeguate prima di assumere il comando del gommone. Il vostro rivenditore o l'importatore sarà felice di indirizzarvi presso le più vicine scuole nautiche o ai più competenti istruttori privati.

**Il Turbojet è un battello altamente performante. La Williams Performance Tender raccomanda che l'Operatore consegua un minimo standard di RYA livello 2 o un ICC (Certificato Internazionale di Competenza) prima di prendere il comando di questo battello. Questo manuale presume che l'Operatore sia in possesso di questo requisito standard ed abbia una conoscenza adeguata delle leggi nautiche basilari.**

**Per favore tenere questo manuale in un luogo sicuro e cederlo solo al nuovo Proprietario solo quando venderete il battello.**

Numero di Identificativo  
Carena (HIN):

## SPECIFICHE GENERALI

	J/T 285	T 325	T 385	T 445
<b>Lunghezza</b>	2.85m	3.30m	3.85m	4.45m
<b>Larghezza</b>	1.64m	1.68m	1.74m	1.96m
<b>Peso a secco</b>	260kg/286kg	296kg	340kg	395kg
<b>Altezza</b>	910mm	910mm	910mm	1.02m
<b>Velocità</b>	40mph/48-52mph	48-52mph	48-52mph	45mph
<b>Serbatoio</b>	41 Lt	41 Lt	60 Lt	70 Lt
<b>Posti</b>	3 + 1	4 + 1	5 + 1	6 + 1

## SPECIFICHE DEL MOTORE

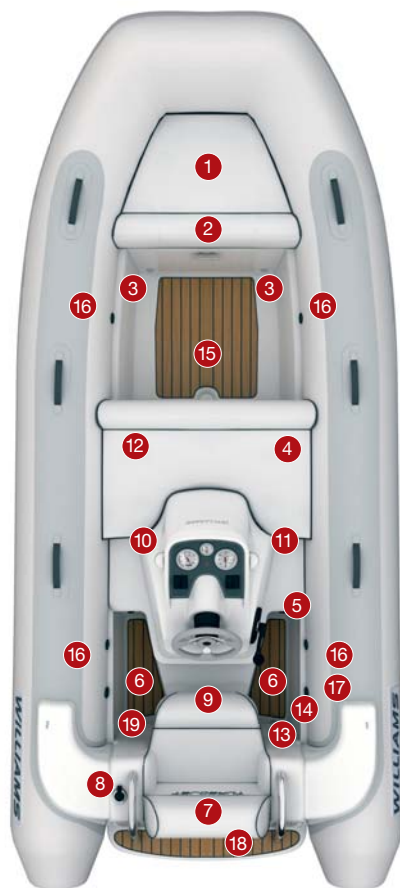
<b>Motore</b>	Weber MPE 750 cc Turbo
<b>Potenza massima</b>	98hp/73kW a 7300 rpm (66hp/50kW a 6300rpm)
<b>Carburante</b>	Benzina verde 95-98 RON
<b>Olio</b>	Sintetico OW50 a 15W50
<b>Capacità serbatoio olio</b>	Massimo 3,5 lt

## CLASSIFICAZIONE

**Categoria C – “In prossimità dalla costa”:** Battello designato a viaggi in acque costiere, grandi baie, estuari, laghi e fiumi, dove si rilevano condizioni fino a ed incluso il vento forza 6 e onde di altezza significativa fino a ed inclusi i 2 m. Questo tender segue la normativa ISO 6185-3. Il Numero Identificativo della Carena è situato al di sopra della turbina ed al di sotto della plancetta di poppa. Registratelo sul manuale del service. La targa CE è situata sulla parete interna in vetroresina sotto la valvola di gonfiaggio. La targa CE è la certificazione di adesione alla Direttiva Europea 94/25/CE.

## CARATTERISTICHE GENERALI

1. Gavone di prua
2. Bitta per ormeggio
3. Anelli di sospensita di prua
4. Imbarco carburante (sotto il sedile)
5. Leva inversione marcia
6. Anelli di sospensita di poppa
7. Gancio traina sci su specchio di poppa
8. Asta luce telescopica
9. Chiave di accensione e staccabatteria
10. Luce di navigazione rossa
11. Luce di navigazione verde
12. Gavone (sotto il sedile)
13. Presa di corrente/presa per carica batteria ausiliario 12v
14. Targhetta di certificazione CE
15. Scarichi acqua (uno a prua e due a poppa)
16. Valvole per gonfiaggio tubolare
17. Valvola di sovrappressione
18. Numero di Identificazione Carena (sotto la piattaforma)
19. Innesto kit lavaggio



## PANNELLO STRUMENTI DI CONTROLLO

1. Contagiri e contaore
2. Spia per bassa pressione olio
3. Livello benzina
4. Interruttore pompa di sentina
5. Contamiglia
6. Spia temperatura motore
7. Interruttore per luci di navigazione
8. Interruttore per aspiratore locale motore
9. Spia di irregolare funzionamento del motore
10. Bracciale per spegnimento di emergenza del motore
11. Scatola fusibili (nel locale motore)



## IMBARCO BENZINA

*I controlli effettuati prima dell'immissione su mercato prevedono che il vostro nuovo Turbojet sia stato messo in moto ed in seguito privato della benzina. Quando imbarcate carburante utilizzate benzina verde 95-98 RON.*

- Assicuratevi che il pulsante di accensione sia in posizione "Off".
- Rimuovete il cuscino del sedile scoprendo il tappo dell'imbarco carburante; la Williams vi fornirà la chiave per rimuovere il tappo.
- Procedete all'imbarco del carburante in un'area ventilata.
- Attenti a non immettere troppo carburante; fate attenzione che la benzina non fuoriesca dal serbatoio.
- Dopo l'imbarco del carburante riavvitare il tappo assicurandovi che sia ben stretto.
- Dopo l'imbarco del carburante aprite il vano motore e controllate le sentine.
- Il tappo dell'imbarco carburante è provvisto di uno sfianto. NON lavare il tender in prossimità del tappo carburante perchè potrebbe entrare acqua nel serbatoio benzina.

## PRIMA DELL'USO

*La pressione dei tubolari varia in relazione alla temperatura. Gonfiare i tubolari in sequenza fino a raggiungere una pressione di 250 mB/3.6 psi. Eseguire questa procedura in modo scorretto significa compromettere la capacità del tender di tenere il mare e l'integrità della tenuta stagna del battello. Le valvole di gonfiaggio sono equipaggiate con sicure ad un quarto di giro per impedire lo sgonfiaggio rapido.*

- Posizionare le valvole in chiusura e gonfiate il tubolare fino a raggiungere una pressione di 2.9 psi (0.2 bar).
- Controllate la sentina per individuare eventuali perdite di acqua o carburante.
- Chiudere saldamente gli ombrinali di scarico sulla pavimentazione.
- Controllare che le due chiusure della consolle siano ben serrate.

## AVVIAMENTO DEL VOSTRO TURBOJET

*Assicuratevi che il vostro Turbojet sia immerso in almeno 0,50 m/2 ft di acqua.*

1. Inserire lo staccabatteria.
2. Mettere in moto l'aspiratore gas del vano motore per almeno 4 minuti.
3. Tirare a bordo qualunque cima che possa essere aspirata dall'unità jet.
4. Assicuratevi che la leva dell'invertitore sia in posizione di folle.
5. **Assicurare il bracciale di sicurezza all'interruttore di spegnimento di emergenza. Attaccate SEMPRE il bracciale al vostro polso quando il motore è in funzione**
6. Girare la chiave di avviamento per accendere il motore.
7. La centralina limiterà il numero di giri fin quando il motore avrà raggiunto la giusta temperatura.



1. Interruttore dello staccabatteria
2. Chiave di avviamento
2. Salvavita

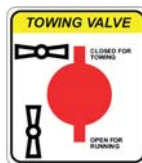
## COME UTILIZZARE IL TUO TENDER

Questo battello utilizza un sistema a propulsione jet ed ha caratteristiche uniche di manovrabilità. La marcia produce una spinta dall'unità jet; il controllo della direzione di marcia è il frutto di una maggiore accelerazione unita alla rotazione del volante nella direzione desiderata. Una brusca spinta causerà una virata violenta; una spinta leggera produrrà una più lenta virata. Non essendo presente la barra del timone, non è possibile manovrare senza alcuna spinta.

Se rifiuti o alghe vengono risucchiati dall'unità jet durante l'utilizzo, potrebbe verificarsi un effetto cavitazione, causando una riduzione di velocità. Senza la rimozione immediata dell'ostruzione, il motore subirà gravi danni a causa del conseguente surriscaldamento. Qual'ora si presentassero segni di ostruzione dovuti a sacchetti di plastica, alghe o cime, ecc. togliere il battello dall'acqua. Disattivare lo staccabatteria e rimuovere gli eventuali detriti dall'unità jet. Non effettuare ulteriori tentativi di mettere in moto un tender bloccato o ostruito poiché è possibile danneggiare il motore. In caso di difficoltà contattare il centro assistenza Williams più vicino.

### TRAINO

**ATTENZIONE:** Sussiste il rischio di imbarco d'acqua. Sul tender è installata una valvola per il traino. La valvola deve essere posizionata su "CHIUSO" durante il traino e su "APERTO" durante l'utilizzo. L'errato utilizzo della valvola causerà seri danni al motore. Rivolgersi al Centro Assistenza Autorizzato Williams più vicino per gli accessori da traino.



### ORMEGGIO

Non lasciate il vostro tender ormeggiato per lunghi periodi perché questo potrebbe causare la formazione di alghe e denti di cane con conseguente diminuzione nella qualità delle prestazioni.

### SPIAGGIA

NON utilizzate il tender in meno di 0,50 m/2 ft di acqua poiché rifiuti o alghe potrebbero entrare nell'unità jet. NON giudicare il tender fino alla spiaggia. Spegnerne il motore prima dello spiaggiamento poiché potrebbero verificarsi gravi danni alla turbina ed al sistema di raffreddamento.

Dopo lo spiaggiamento riportare il battello in acque profonde almeno 0,50 m/2 ft e far oscillare da un lato all'altro il tender varie volte al fine di rimuovere eventuali residui di sabbia dall'unità di aspirazione - Non eseguire correttamente questa manovra potrebbe provocare gravi danni all'unità jet.

### ASSETTO

Non sovraccaricare il battello con pesi eccessivi. A tutte le velocità prestate sempre attenzione all'assetto di navigazione e distribuite i pesi uniformemente.

### INFORMAZIONI GENERALI

Utilizzate il tender con la dovuta cura ed a velocità consone alle condizioni del mare. Eseguire sempre un controllo generale delle condizioni tender e dei suoi componenti prima dell'utilizzo. Aderire al programma di manutenzione e servizio come imposto dal Manuale di Manutenzione.

## SPIE LUMINOSE

### 1. TEMPERATURA DEL MOTORE

Questa spia si accenderà qualora manchi il liquido refrigerante o in presenza di ostruzioni nel sistema di raffreddamento.

Dopo aver riavviato un motore "caldo" è normale che la spia resti accesa per almeno 30 secondi. Se la spia dovesse rimanere accesa per un tempo più lungo o dovesse attivarsi quando il motore si trova ad alti regimi, **SPEGNERE IMMEDIATAMENTE** il motore e controllare se vi è presenza di ostruzioni nel sistema di raffreddamento (detriti o sabbia nel sistema di aspirazione dell'acqua situato nel gruppo jet).

### 2. MALFUNZIONAMENTO DELL'ECU

Questa spia si illuminerà in presenza di un difetto nel sistema gestionale riscontrato dalla centralina interna del motore.

**SPEGNERE IMMEDIATAMENTE** il motore e rivolgersi quanto prima al centro assistenza Williams più vicino.

### 3. SCARSA PRESSIONE DELL'OLIO

Qualora questa spia si accendesse, **SPEGNERE IMMEDIATAMENTE** il motore e rivolgersi quanto prima al centro assistenza Williams più vicino.

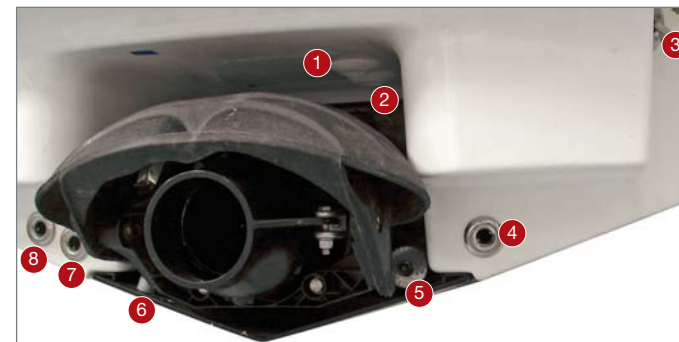


## PROCEDURA DI LAVAGGIO MOTORE DOPO L'UTILIZZO

**Al fine di prolungare la vita del motore è molto importante, dopo l'utilizzo, ripulire il motore dall'acqua salata prima di metterlo a riposo. Non effettuare questa procedura ridurrà in modo significativo la vita dei componenti del motore del vostro tender. Non azionare l'acceleratore fuori dall'acqua. Il motore deve essere messo in moto prima che l'acqua sia inserita. Il rischio di allagamento del motore sussiste qualora l'acqua rimanga accesa dopo lo spegnimento del motore.**

1. Togliere il tender dall'acqua tutti i giorni e lavare sia il battello che l'unità jet con acqua dolce.
2. Collegare l'innesto del kit lavaggio fornito di serie con il battello all'innesto maschio.
3. Accendere il motore ed immediatamente avviare l'immissione di acqua nel sistema.
4. Lasciare in moto il tender per approssimativamente un minuto al fine di lavare via eventuali ostruzioni nel sistema di raffreddamento.
5. Far cessare l'afflusso d'acqua.
6. Lasciare in moto il tender per non più di dieci secondi al fine di permettere l'espulsione di tutta l'acqua dal sistema di raffreddamento. Rimuovere l'innesto del kit lavaggio.
7. Controllare la sentina del battello per individuare eventuali residui di acqua. Rimuovere i tre tappi degli scarichi.

1. Scarico pompa di sentina
2. Scarico acqua per raffreddamento circuito chiuso
3. Scarico vaschetta imbarco carburante
4. Scarico ombrinale su pavimentazione di destra
5. Anodo su corpo pompa
6. Anodo su piastra per protezione gruppo idrogetto



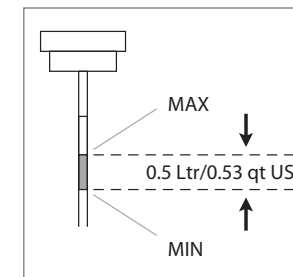
7. Scarico ombrinale su pavimentazione di sinistra

8. Scarico ombrinale su pavimentazione frontale

## CONTROLLO LIVELLO OLIO

Il motore weber è un tipo di motore a coppa asciutta, con un serbatoio dell'olio separato. Quando il motore viene messo in moto l'olio pompato nel serbatoio. Dopo che il motore ha girato, l'olio tornerà lentamente dalla tanica alla coppa. **Il motore deve essere a temperatura operativa prima che un livello esatto sia indicato sull'asticella.**

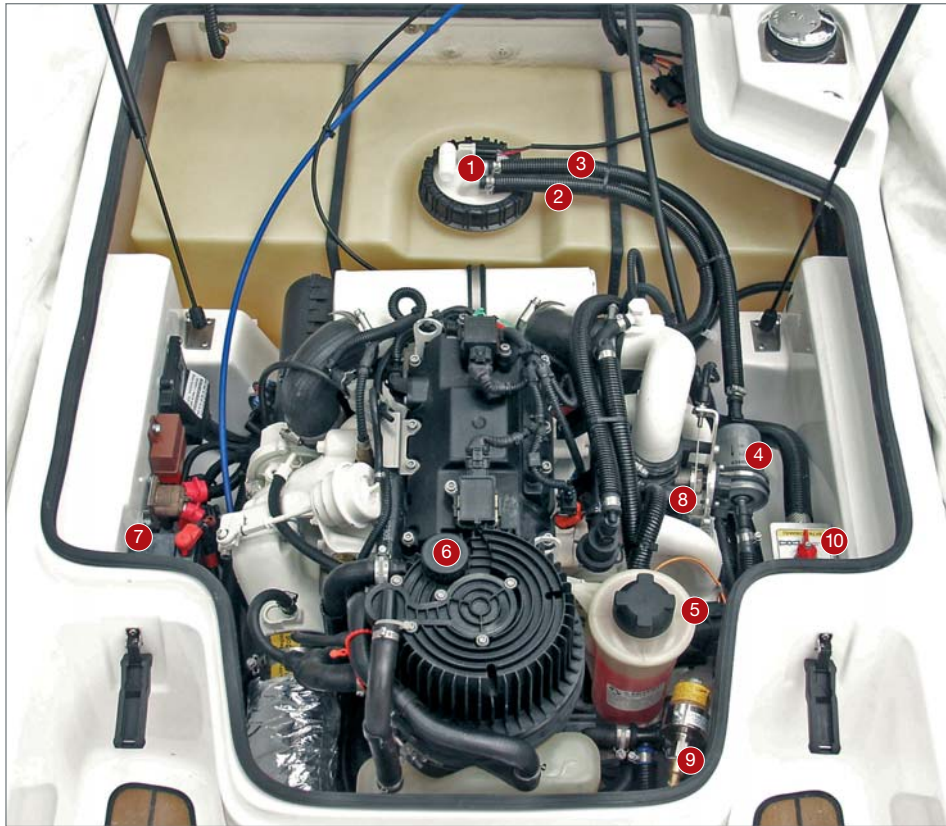
Il livello dell'olio dovrebbe essere segnalato tra MIN e MAX sull'asticella. Non inserire altri oggetti per controllare il livello dell'olio. Usate il giusto tipo di olio. Non fate traboccare l'olio.



## SERVICE

Il primo (ed estremamente importante) service del motore deve essere effettuato a 25 ore. In seguito il service deve essere effettuato ogni 50 ore o una volta l'anno (dipende da quale di questi due eventi si verifica prima). Consultare il vostro rivenditore autorizzato Williams per effettuare il service. Utilizzare come riferimento il manuale di servizio Williams per un controllo periodico del motore.

Per ricambi ed accessori vi preghiamo di contattare un concessionario autorizzato Williams.



1. Pompa e sensore livello benzina
2. Raccordo ritorno carburante
3. Raccordo uscita carburante
4. Filtro benzina
5. Serbatoio del liquido di raffreddamento

6. Serbatoio olio
7. Batteria
8. Rinvio cavo acceleratore
9. Paraolio albero trasmissione
10. Valvola per il traino

## INGRASSAGGIO PARAOLIO SU ASSE DI TRASMISSIONE

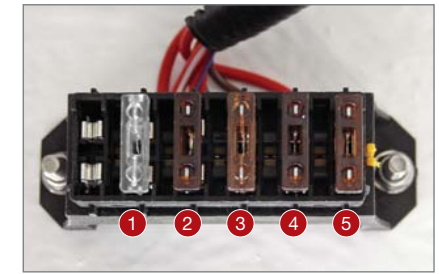
L'ingrassaggio del paraolio sull'asse di trasmissione è eseguita da un'unità di ingrassaggio automatico. Controllare approssimativamente ogni 10 ore di moto il serbatoio del grasso. Usare grasso "Quicksilver Marine 2-4 C" o un equivalente prodotto resistente alle alte temperature e velocità per rifornire il serbatoio. Prestare attenzione a non superare il livello massimo indicato.



## IDENTIFICAZIONE FUSIBILI

Fuses located under helm station.

1. Presa 12 v: fusibile rosso/bianco – 25 amp
2. Interruttore dell'automat. pompa: fusibile rosso/blu – 7.5 amp
3. Luci di navigazione: fusibile arancione – 5 amp
4. Interruttore pompa di sentina: fusibile verde/rosso – 5 amp
5. Aspiratore: fusibile marrone – 7.5 amp



## CONTROLLO DEL CIRCUITO DEL CARBURANTE

**ATTENZIONE :** circuito del carburante pressurizzato. Ispezionare il circuito per eventuali perdite ad intervalli regolari. Tutti gli elementi del circuito carburante funzionano sotto pressione (5 bar). Il circuito rimane pressurizzato anche lo spegnimento del motore. Deve essere prestata estrema attenzione nello scollegare i connettori durante la sostituzione del filtro benzina. Indossare occhiali protettivi. Mantenersi lontani da qualsiasi fonte di calore.

## IL MANTENIMENTO DEL TENDER

Al fine di assicurare al vostro tender un vita lunga ed al fine di mantenerlo affidabile e sicuro vi preghiamo di seguire queste semplici istruzioni per una manutenzione di routine. La Williams Performance Tender Ltd non può accettare alcuna responsabilità per danno o infortunio causati da una scorretta manutenzione del mezzo o da un improprio intervento sullo stesso effettuati dal proprietario.

1. Ripristinare il livello di grasso ogni.
2. Controllare il livello di olio nel motore.
3. Controllare il livello del liquido di raffreddamento.
4. Lavare abbondantemente attraverso il raccordo il sistema di raffreddamento assicurandosi che non sia ostruito.
5. Applicare grasso marino di buona qualità contenente Teflon (ad es. Quicksilver 101) su tutti i cavi telecomandi sia sotto la consolle che sul gruppo idrogetto.
6. Controllare le sentine per individuare eventuale presenza di acqua, di olio o benzina.
7. Ingrassare leggermente l'asta della luce di navigazione telescopica utilizzando grasso bianco o simile.
8. Controllare le condizioni dei due anodi sulla pompa.
9. La perdita di pressione all'interno del tubolare non è insolita oltre le 24 ore. La temperatura esterna influisce notevolmente sulla pressione del tubolare. Controllare la pressione regolarmente.

## INVERNAGGIO

Seguire il manuale di manutenzione Williams per effettuare le procedure di invernaggio.

## CESTITAMO NA VASEM ODABIRU WILLIAMS TURBOJET-a

Ovaj priručnik sastavljen je kako bi Vam olaksao rukovanje sa Vasim Turbojet-om te spojio sigurnost sa užitkom. Priručnik sadrži opis brodske opreme zajedno sa uputama za rukovanje i održavanje istih. Molimo Vas, pažljivo procitajte upute te se upoznajte sa plovilom prije upotrebe.

WILLIAMS Turbojet koristi vodeni jet pogon. Ukoliko Vam je ovo prvo plovilo ili niste upoznati sa njim, radi Vase osobne sigurnosti, dobro proučite priručnik o rukovanju sa plovilom prije nego krenete upravljati sa njim. Vas zastupnik, mjerodavna pomorska institucija ili jedrilicarski klub Vas mogu savjetovati o osposobljavanju za voditelja brodice te Vas uputiti na nadležne instruktore.

**Turbojet je visoko djelotvorno plovilo. Williams preporučuje minimalni standard osposobljenosti upravljanja plovilom RYA level 2 ili ICC – International certificate of competency, (Hrvatski zakonodavac je propisao minimalnu osposobljenost upravljanja plovila – “Voditelj brodice kategorije B”). Ovaj priručnik podrazumijeva da je vlasnik osposobljen za rukovanje plovilom te da je upoznat sa osnovama pomorstva.**

**Molimo Vas, čuvajte ovaj priručnik na sigurnom mjestu i predajte ga budućem vlasniku ukoliko prodate plovilo.**

Identifikacijski broj  
trupa (HIN):

## OPCI PODACI

	J/T 285	T 325	T 385	T 445
<b>Dužina</b>	2.85m	3.30m	3.85m	4.45m
<b>Sirina</b>	1.64m	1.68m	1.74m	1.96m
<b>Težina</b>	260kg/286kg	296kg	340kg	395kg
<b>Visina</b>	910mm	910mm	910mm	1.02m
<b>Brzina</b>	40mph/48-52mph	48-52mph	48-52mph	45mph
<b>Goriva</b>	41 Litara	41 Litara	60 Litara	70 Litara
<b>Sjedala</b>	3 + 1	4 + 1	5 + 1	6 + 1

## PODACI O MOTORU

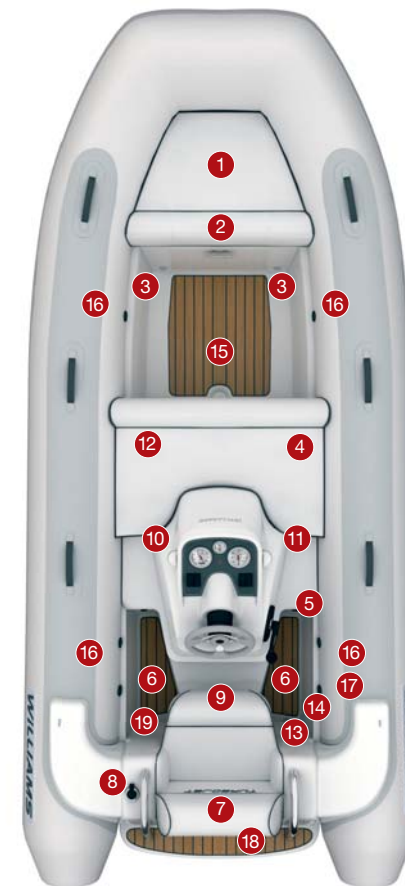
<b>Motor</b>	Weber MPE 750cc turbo
<b>Maksimalna snaga</b>	98hp/73kW at 7300rpm (66hp/50kW na 6300rpm)
<b>Gorivo</b>	Bezolovni benzin 95-98 RON
<b>Tip ulja</b>	OW50 to 15W50 potpuno sintetičko
<b>Spremnik ulja</b>	3.5 litre maksimalno

## KLASIFIKACIJA

**Kategorija C – “obalna”:** Plovilo je dizajnirano za plovidbu u obalnim vodama, jezerima i uscima rijeka pri uvjetima plovidbe; vjetar snage do 6 i visina valova do 2 m. *Ovo plovilo je napravljeno prema standardu ISO 6185-3.* Broj trupa se nalazi iznad mlaznice odnosno ispod ukrčajne stepenice. Upisan je u servisni priručnik. CE oznaka smještena je na desnom osloncu za noge. CE oznaka je potvrda od strane European Directive 94/25/CE.

## GENERALNI RAZMJESTAJ

1. Vodonepropusno spremiste
2. Bitva
3. Prednji podizaci
4. Otvor spremnika goriva (ispod sjedala)
5. Rucica stupnjeva vožnje
6. Zadnji podizaci
7. Kuka za povlacenje skijasa (ispod sjedala)
8. Svjetlo za vožnju
9. Key i kontakt prekidač (ispod sjedala)
10. Lijevo navigacijsko svjetlo
11. Desno navigacijsko svjetlo
12. Spremiste (ispod sjedala)
13. 12v generator/uticnica
14. CE oznaka
15. Drenažni cepovi (jedan kod prednjeg i dva kod zadnjeg oslonca za noge)
16. Ventil za napuhavanje cijevi
17. Sigurnosni ventil
18. Identifikacijski broj trupa (HIN) (ispod platforme)
19. Spojnica za ispiranje



## KONTROLE I INSTRUMENT PLOCA

1. Brzinomjer i brojca rada motora
2. Signalno svjetlo za nisku razinu ulja u motoru
3. Pokazivac kolicine goriva
4. Prekidač kaljužne pumpe
5. Brzinomjer
6. Lampica temperature ispuha
7. Navigacijska svjetla
8. Ozračivač motornog prostora
9. ECU lampica u slučaju kvara
10. Sigurnosna vezica
11. Osiguraci (motorni dio)



## PUNJENJE GORIVA

Kao sastavni dio inspekcije prije isporuke Vaseg Turbojet-a, plovilo je bilo voženo te je sadržaj goriva kompletno ispražnjen. Kod točenja goriva koristite isključivo benzin 95-98 RON.

- Provjerite da je paljenje u OFF poziciji.
- Uklonite jastuke sa sjedala kako biste otkrili cep spremnika. Cep spremnika za gorivo otvara se ključem.
- Tocite gorivo u prozračenom prostoru.
- Nemojte pretociti spremnik; pazite da ne prolijevate gorivo.
- Cep spremnika dobro zatvorite nakon točenja goriva.
- Nakon točenja goriva, podignite poklopac motora i provjerite kaljužu.
- Cep spremnika goriva ima integrirani odusnik. Nemojte polijevati vodom cep spremnika kako voda ne bi usla u spremnik.

## PRIJE UPOTREBE

Pritisak u tubama može varirati s promjenom temperature. Napumpajte obe tube, jednu za drugom, na 250mB/3.6psi. Ukoliko nisu, to ce se odraziti na plovnost plovila kao i na njegovu otpornost odnosno cvrstocu. Ventil za napuhavanje su pricvrsceni sa cetvrt-okretnim zatvaracima kako bi onemogućili naglo ispuhivanje.

- Zatvorite ventile i napumpajte tube.
- Provjerite kaljužu da nije doslo do kontaminacije (mijesanja) goriva ili vode.
- Stegnite drenažne cepove.
- Provjerite da je kvaka na poklopcu motora osigurana.

## STARTANJE TURBOJET-a

Provjerite da se plovilo nalazi na najmanje 0,5 m dubine.

1. Uključite kontakt.
2. Pokrenite kaljužni ispuh da radi 4 minute.
3. Provjerite da konopi ne vise sa plovila kako se ne bi usisali u jet jedinicu.
4. Provjerite da je mjenjac brzina u centralnoj/neutralnoj poziciji.
5. **Povežite sigurnosnu vezicu sa prekidacem.**  
**UVIJEK se povežite sa sigurnosnom vezicom dok motor radi**
6. Okrenite ključ za paljenje dok motor ne starta.
7. Brojac okretaja motora ce se stabilizirati kad se motor zagrije.



1. Kontakt prekidac
2. Prekidac ključem
3. Kružni prekidač

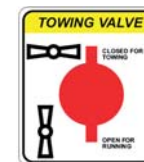
## RUKOVANJE TENDER-om

Ovo plovilo koristi vodeni-jet pogon i ima jedinstvene karakteristike u upravljanju. Ventil prima potisak od jet pumpe, upravljanje je omogućeno otvaranjem ventila te zakretanjem osovine u stranu u koju vozac okrene volan. Veliki potisak okrenut ce plovilo brzo, mali potisak proizvodi manji okretni moment. Ne postoji kormilo tako da u vožnji bez potiska nije moguće kormilariti. Nakon vožnje tendera pri velikim brzinama, važno je motoru dopustiti na jednu minutu da radi na praznom hodu kako bi se turbo pogon ohladio te ga tek nakon toga ugasi.

Ukoliko ima bilo kakvih naznaka da korov ili krhotine blokiraju jet obavezno izvadite plovilo iz vode. Isključite kontakt prekidac te ocistite svu nečistocu sa jet jedinice. NE pokušavajte pokrenuti zaglavljenu ili blokirani čamac jer to može prouzročiti kvar motora. U slučaju daljnjih problema kontaktirajte ovlaštenog zastupnika.

### TEGLJENJE

Postoji rizik potapanja motora. NE TEGLITI. Kontaktirajte ovlaštenu servisnu službu za dodatni pribor. Ventil za tegljenje postavljen. Ventil mora biti u zatvorenoj poziciji za tegljenje i u otvorenoj poziciji za vožnju. Ako se ne pridržava pravilna pozicija ventila, rezultat može biti ozbiljno oštećenje na motoru.



### VEZ PLOVILA

Ne ostavljajte Turbojet predugo vezanog u vodi jer to može doprinijeti nakupljanju algi i školjaka na podvodnom dijelu trupa te time naskoditi maritimnim sposobnostima plovila.

### VOŽNJA U PLITKIM VODAMA

Ne vozite na dubini manjoj od 0.5m/2ft jer bi krhotine mogle ući u jet jedinicu. NE VOZITE Turbojet po suhom. Zaustavite motor prije prelaska na suho jer može doći do kvara na pumpi za hlađenje motora.

Nakon vožnje u plitkim vodama odvezite plovilo u dublju vodu te ga pod gasom okrecite u lijevu i desnu stranu nekoliko puta da odstranite pijesak sa usisnog dijela motora-ne ucinite li to moguc je kvar na jet motoru.

### TRIM

Ne preopterećujte plovilo.

Pri svakoj brzini pazite na trim plovila te da sve težine budu podjednako raspoređene.

### OPCENITO

Upravlajte plovilom pažljivo i brzinom kojom uvjeti plovidbe to dozvoljavaju. Uvijek vizualno pregledajte plovilo i njegove sastavne dijelove prije upotrebe. Održavajte/servisirajte plovilo kako je opisano u priručniku.

## SIGNALNE LAMPICE

### 1. TEMPERATURA ISPUHA

Ova ce se lampica upaliti ukoliko je dovod hlađenja prekinut. Nakon ponovnog startanja vec vruceg motora, normalno je da je lampica upaljena do 30-ak sekundi. Ukoliko je lampica upaljena i dalje ili se upali pri visim brojevima okretaja, **ZAUSTAVITE** motor te provjerite da li je doslo do blokiranja sistema za hlađenje (krhotine u pumpi/cijevima).

### 2. ECU KVAR

Ova ce se lampica upaliti ukoliko se dogodi kvar na motoru. Ukoliko dodje do toga, odmah **ZAUSTAVITE** motor i prijavite kvar ovlaštenom servisu.

### 3. NIZAK TLAK ULJA

Ukoliko se ova lampica upali, **ZAUSTAVITE** motor i prijavite kvar ovlaštenom servisu.

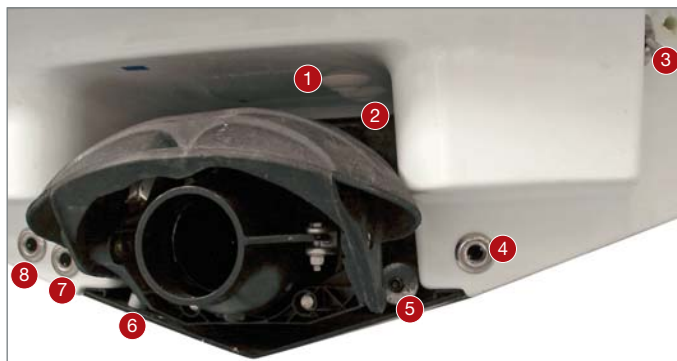


## NAKON UPOTREBE: ISPIRANJ

Kako bi produžili vijek trajanja motora turbojeta, jako je bitno da isperete motor od soli nakon upotrebe a prije skladištenja. Ne ispiranje motora može znatno šteti dijelovima motora te njihovom vijeku trajanja. **NE UKLJUCUJTE potisnik izvan vode. Motor mora raditi prije spajanja vode. Postoji rizik potapanja motora u slučaju da voda ostane priključena nakon gašenja motora.**

1. Vadite plovilo svaki dan iz vode te ga isperite zajedno sa jet pumpom koristeći slatku vodu.
2. Priključite dovod slatke vode sa ženskim priključkom kojeg ste dobili sa tenderom te ga spojite na spojnicu za ispiranje kraj sjedala za vozača.
3. Startajte motor te odmah uključite dovod slatke vode.
4. Pustite motor da radi oko 1 minute kako bi se prsten sistema za hladjenje kompletno isprao.
5. Zatvorite dovod slatke vode.
6. Ostavite motor da radi ne više od 10 sekundi kako bi se sva voda iscijedila iz sistema za hladjenje te onda ugasite motor. Uklonite crijevni priključak sa razvodne spojke.
7. Provjerite kaljuže te posušite ostatak vode u njima. Uklonite drenažne cepove.

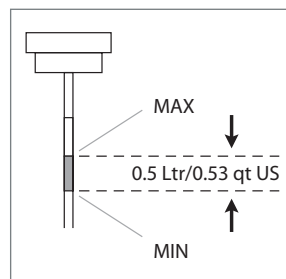
1. Kaljužni odusak
2. Otvoren dovod hladjenja
3. Sigurnosni ventil goriva
4. Desni drenažni cep
5. Pumpa anode
6. Spojnica vozne ploče
7. Lijevo drenažni cep
8. Prednji drenažni cep



## PROVJERA NIVOVA ULJA U MOTORU

Weber motori su motori sa tzv. "suhom posudom", što znači da imaju zaseban spremnik ulja. Kada se motor pokrene, ulje se ubrizgava u spremnik. Dok motor radi, ulje će se nakon nekog vremena lagano vratiti iz spremnika u posudu. **Motor mora postići radnu temperaturu da bi se se uz pomoć metalne šipke izmjerio točan nivo ulja u motoru.**

Prilikom mjerenja nivo ulja mora biti između MIN i MAX na metalnoj šipki. Nemojte zašarafiti poklopac na vrhu da biste provjerili nivo ulja. Koristite optimalnu količinu ulja, nemojte prepunjavati. Ne pas trop remplir.

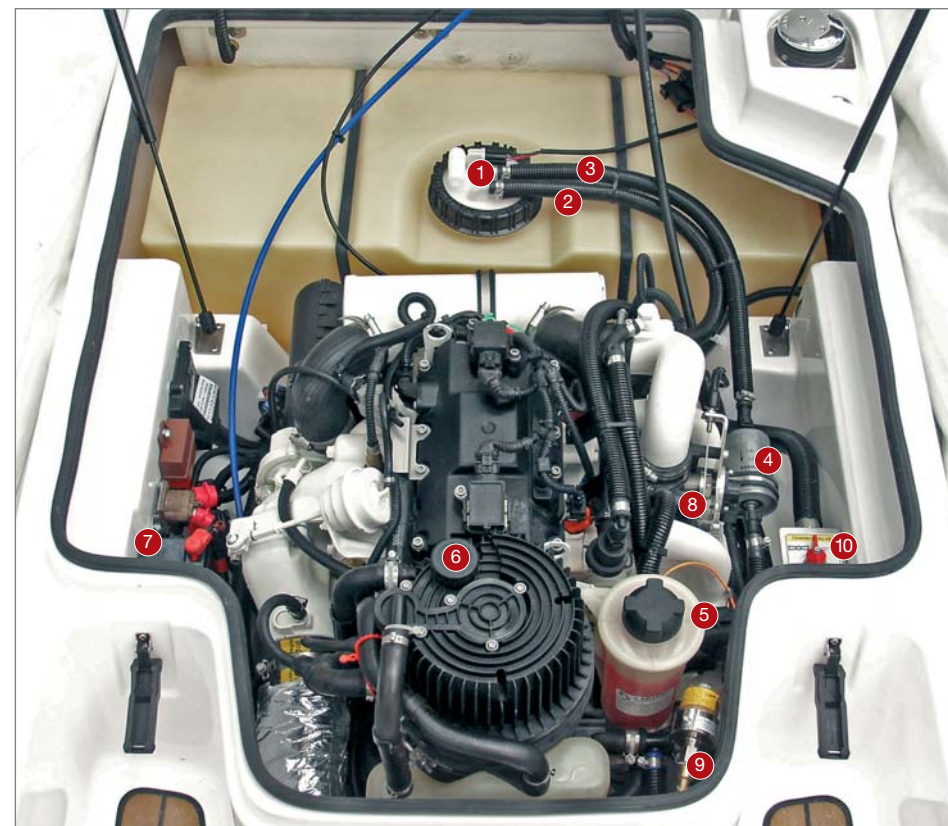


## SERVIS

Nakon obveznog nultog servisa, preporuča se servis nakon 25 sati rada motora. Nakon toga, preporuča se servis svakih 50 sati rada motora ili jednom godišnje. Konzultirajte Vašeg Williams zastupnika vezano uz servis. Proučite Williams priručnik vezano uz održavanje motora.

Za narudžbu rezervnih dijelova, kontaktirajte Vašeg Williams zastupnika.

## GENERALNI RASPORED MOTORA



1. Pumpa i pokazivac nivoa goriva
2. Povrat goriva
3. Potisnik goriva
4. Filter goriva
5. Zatvoreni prsten spremnika za hladjenje
6. Spremnik ulja
7. Akumulator
8. Spojnica potisnika
9. Osovina brtve
10. Ventil za tegljenje

## PODMAZIVANJE BRTVE OSOVINE

Podmazivanje osovine je automatsko. Provjeriti rezervoar os sistema podmazivanja svakih 10 sati. Koristiti Quicksilver marine 2-4-C mast, ili istu mast po specifikaciji. Pripaziti da sistem ne bude na prevelikom tlaku.

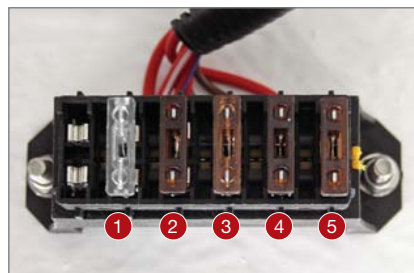
NE PREPUNJAVATI PREKO OZNAČENOG MAXIMUMA.



## OSIGURACI

Osiguraci su smješteni ispod upravljacke konzole.

1. 12v socket: crveno/bijela žica – 25 amp
2. Prekidac kaljužne pumpe: crveno/plava žica – 7.5 amp
3. Prekidac kaljužne pumpe: zeleno/crvena žica – 5 amp
4. Navigacijska svjetla: narancasta žica – 5 amp
5. Ispuh: smeđja žica – 7.5 amp



## PROVJERA SISTEMA GORIVA

**UPOZORENJE-sistem goriva pod tlakom. Provjeriti da li ima curenja na sistemu prilikom servisa. Svi dijelovi sistema goriva rade pod pritiskom od (5 bar). Sistem ostaje pod pritiskom nakon gašenja motora. Mora se posvetiti velika pažnja kad se vade konektori prilikom izmjene filtera. Nositi zaštitne naočale. Pripaziti na vanjske utjecaje koji mogu rezultirati požarom.**

## ODRŽAVANJE

**Kako bi ste osigurali da Vas tender bude siguran i pouzdan, molimo Vas postujte ove odredbe održavanja Williams nece prihvatiti odgovornost za stete nastale nestrucnim rukovanjem ili nepravilnim postavljanjem od strane vlasnika plovila.**

1. Promijeniti rezervoar za automatsko podmazivanje i nadopuniti ako potrebno.
2. Provjerite nivo ulja u motoru (vidi poglavlje PROVJERA ULJA).
3. Provjerite nivo hladjenja.
4. Isperite otvoreni prsten sistema za hladjenje.
5. Koristite kvalitetno mazivo koje sadrži Teflon (Quicksilver 101) za podmazivanje kontrolnih kabela i pumpe.
6. Provjerite kaljuže zbog prodora vode i kontaminacije ulja ili goriva.
7. Premažite polove navigacijskih svjetala koristeći bijelu mast ili njoj slicnu.
8. Provjerite stanje anoda kod dvije pumpe.
9. Pad tlaka u tubama nakon 24 sata nije neuobicajeno. Vanjska temperatura i tlak ce se odraziti na tlak u tubama. Provjerite tlak.

## ZIMSKO CUVANJE PLOVILA

Obratite se ovlastenom Williams servisu za upute o zimskom cuvanju plovila.

## HERZLICHEN GLÜCKWUNSCH ZU IHRER WAHL EINES WILLIAMS TURBOJET TENDER

Dieses Benutzerhandbuch wurde verfasst um Sie darin zu unterstützen, Ihren Williams Turbojet Tender sicher und mit Freude bedienen zu können. Der Inhalt wird Sie vertraut machen mit den Details zum Boot sowie der montierten Ausrüstung, und liefert Informationen über die Bedienung und Wartung. Bitte lesen Sie das Handbuch mit Aufmerksamkeit und machen Sie sich vor der Benutzung mit dem Boot vertraut.

Der Williams Turbojet Tender wird mittels Wasserstrahl angetrieben. Falls dies Ihr erstes Boot ist oder falls Sie auf einen Ihnen unbekanntem Bootstyp wechseln, bitten wir Sie im Interesse Ihrer eigenen Sicherheit, dass Sie sich vor Kommandoübernahme des Boots eine gewisse Erfahrung hinsichtlich der Handhabung und Bedienung aneignen. Ihr Händler oder Yacht Club wird Sie gerne an eine nautische Schule oder an einen kompetenten Einweiser verweisen.

**Der Turbojet Tender ist ein Hochleistungsboot. Bevor Sie dieses Boot führen empfiehlt Williams dem Bootsbediener einen Mindestausbildungsstandard zu erlangen der vergleichbar ist mit dem RYA Schein, Stufe 2 oder des ICC (International certificate of competency). Bei Nutzung der Turbojet Tender gelten jedoch generell die länder-spezifischen Voraussetzungen des jeweiligen Landes (z. B. Sportbootführerschein für Binnengewässer/offene See/Bodenseeschifferpatent, etc.) Dieses Handbuch setzt voraus, das der Bediener sich diesen Qualifikationsstandard angeeignet hat und über Basiswissen der Seemannschaft verfügt.**

**Bitte bewahren Sie dieses Handbuch an einem sicheren Ort auf und reichen Sie es mit dem Verkauf oder der Weitergabe des Boots an den neuen Eigentümer weiter.**

Rumpf ID.Nr. (HIN):

## ALLGEMEINE TECHNISCHE DATEN

	J/T 285	T 325	T 385	T 445
<b>Gesamtläng</b>	2.85m	3.30m	3.85m	4.45m
<b>Breit</b>	1.64m	1.68m	1.74m	1.96m
<b>Gewicht, trocken</b>	260kg/286kg	296kg	340kg	395kg
<b>Gesamthöh</b>	910mm	910mm	910mm	1.02m
<b>Geschwindigkeit</b>	40mph/48-52mph	48-52mph	48-52mph	45mph
<b>Kraftstoff Fassungsverm</b>	41 Liter	41 Liter	60 Liter	70 Liter
<b>Sitzplätze</b>	3 + 1	4 + 1	5 + 1	6 + 1

## TECHNISCHE DATEN, MOTOR

<b>Motor</b>	Weber MPE 750 cc Turbo
<b>Max. Leistung</b>	98hp/73kW bei 73001/min (66hp/50kW bei 6300rpm)
<b>Kraftstoff</b>	Unverbleites Benzin, 95-98 OZ
<b>Ölgüte</b>	OW50 bis 15W50, vollsynthetisch
<b>Ölmenge</b>	3.5 Liter (max.)

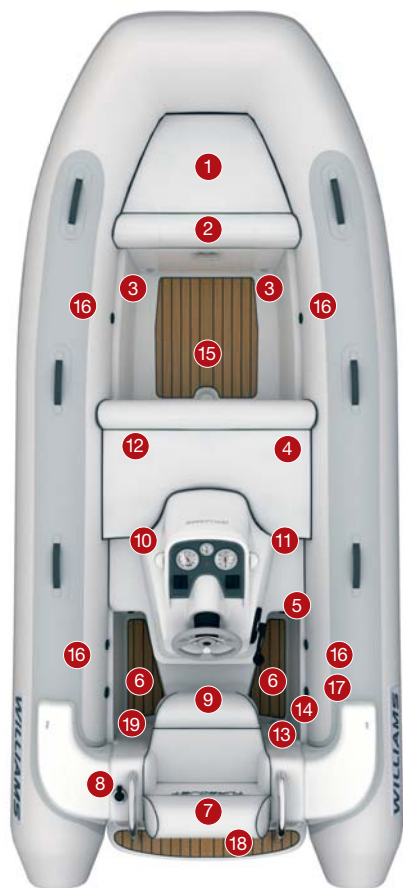
## KLASSIFIZIERUNG

**Kategorie C – "Küste":** Das Boot ist ausgelegt für Fahrten in Küstengewässer, großen Buchten, Mündungen, Seen und Flüssen, mit Bedingungen bis zu und einschließlich Windstärke 6 und Wellenhöhen bis zu und einschließlich 2 m. *Dieses Boot erfüllt die Bedingungen von ISO 6185-3.* Die Rumpf ID. Nr. (HIN) befindet sich über der Strahldüse, unterhalb der Hecktreppe. Notieren Sie die ID. Nr. ins Service Handbuch. Das CE Schild befindet sich im Steuerbord-Fußraum. Das CE Schild ist das Zertifikat zur Europäischen Richtlinie 94/25/CE.



## ANORDNUNG DER KOMPONENTEN

1. Wasserfester Stauraum
2. Verzurrklampe
3. Anhebepunkte, vorne
4. Kraftstoffeinfülltrichter (unterhalb vom Sitz)
5. Gas-/Schalthebel
6. Anhebepunkte, hinten
7. Ski Schlepprichtung (unterhalb vom Sitz)
8. Positionslampe
9. Schlüsselschalter und Batterietrennschalter (unterhalb vom Sitz)
10. Hafennavigationslicht
11. Navigationslicht, Steuerbord
12. Stauraum (unterhalb vom Sitz)
13. 12 V Zusatzsteckdose für Strom/ Aufladung
14. CE Zertifizierungsschild
15. Ablaufstopfen (einer im vorderen Fußraum und jeweils einer in den hinteren Fußräumen)
16. Schlauchfüllventile
17. Überdruckventil
18. Rumpf ID Nr. (HIN) (unterhalb der Plattform)
19. Spüleinrichtung



## STEUERELEMENTE UND INSTRUMENTENGRUPPE

1. Tachometer und Stundenzähler
2. Warnlampe, Öldruck niedrig
3. Kraftstoffanzeiger
4. Schalter Kielpumpe
5. Geschwindigkeitsmesser
6. Abgastemperaturlicht
7. Navigationslicht
8. Schalter Kielgebläse
9. ECU Störungsanzeige
10. Schalter für Sicherheitsabschaltung Motor
11. Sicherungen (Motorraum)



## BETANKUNG

Im Rahmen der Inspektion vor der Auslieferung wurde der Motor Ihres neuen Turbojet Tender betrieben und der Kraftstoff abgelassen. Zur Betankung ist ausschließlich unverbleites Benzin (OZ 95-98) zu verwenden.

- Vergewissern Sie sich, dass der Zündungsschalter auf Position AUS (OFF) ist.
- Entfernen Sie das Sitzpolster um Zugang zu dem Kraftstoffeinfülltrichter zu erhalten. Entfernen Sie den Tankdeckel mit dem bereitgestellten Schlüssel.
- Achten Sie auf ordnungsgemäße Belüftung beim Betanken.
- Überfüllen Sie den Tank nicht; achten Sie darauf, dass kein Kraftstoff verschüttet wird.
- Bringen Sie nach dem Betanken den Tankdeckel wieder sicher an.
- Öffnen Sie nach dem Betanken die Motorluke und inspizieren Sie die Kielräume.
- Der Tankdeckel verfügt über eine integrierte Belüftung. Richten Sie auf keinen Fall den Wasserstrahl (z. B. beim Abspritzen mit Wasserschlauch) in Richtung des Kraftstoffeinfülltrichters, da gegebenenfalls Wasser in den Kraftstofftank eindringen könnte.

## VOR DER VERWENDUNG

Der Luftdruck in den Schläuchen, ändert sich in Abhängigkeit von der Umgebungstemperatur. Der Luftdruck in den Schläuchen sollte 250mB/3,6psi nicht überschreiten. Die Nichteinhaltung des vorgegebenen Luftdrucks beeinflusst die Seetüchtigkeit und die Wasserdichtigkeit Ihres Bootes. Zum Ablassen der Luft sind die Schlauchfüllventile mit ¼ Umdrehung Schließmechanismen ausgestattet.

- Stellen Sie die Ventile auf „zu“ (shut) und füllen Sie die Schläuche gleichmäßig auf 0,2 bar (2,9 psi).
- Prüfen Sie den Kiel auf etwaige Kraftstoff- oder Wasserverschmutzung.
- Prüfen Sie den festen Sitz der Ablaufstopfen in den Fußräumen.
- Prüfen Sie den festen Sitz der Motorhaubenverschlussbügel.

## STARTEN IHRES TURBOJET TENDERS

Vergewissern Sie sich, dass das Boot sich in einer Mindestwassertiefe von 0,5 m/2 ft befindet.

1. Schalten Sie den Batterietrennschalter auf an.
2. Lassen Sie das Kielgebläse für 4 Minuten laufen.
3. Befestigen sie lose Leinen/Seile/etc., die in die Jet Einheit gesaugt werden könnten.
4. Vergewissern Sie sich, dass der Schalthebel sich in der mittleren Position befindet.
5. Verbinden Sie die Kordel mit dem Motoren-Sicherheitsabschalter. Bei laufendem Motor müssen Sie IMMER über die Kordel mit dem Sicherheitsabschalter Motor verbunden sein!
6. Drehen Sie den Zündschlüssel bis der Motor startet.
7. Die Motorendrehzahl wird automatisch begrenzt bis der Motor auf Betriebstemperatur ist.



1. Batterietrennschalter
2. Schlüsselschalter
3. Sicherung

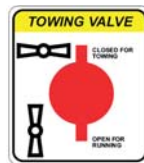
## BETRIEB DES TENDERS

Dieses Boot wird über ein Wasserstrahlssystem angetrieben und verfügt über einzigartige Lenkeigenschaften. Der Schub wird über die Strahlpumpe (Jetpumpe) erzeugt; die Lenkrichtung wird durch Öffnen der Drossel (Gas geben) und Drehen des Lenkrads in die gewünschte Drehrichtung, erzeugt. Bei hohem Schub können scharfe Kurven gefahren werden; bei niedrigem Schub wird eine geringere Drehfreudigkeit erzeugt. Ein Steuerruder gibt es nicht, von daher können Sie auf Fahrt nur mit Schub die Richtung wechseln.

Falls sich Seegras, Verschmutzungen, etc. bei der Benutzung in der Strahleinheit verfangen kann dies zu Kavitation führen, was wiederum zu einer Schubverminderung führt. Wenn dieser Zustand beibehalten und nicht abgestellt wird, kann der Motor überhitzen und zu ernsthaften Schäden führen. Bei etwaigen Anzeichen davon, dass Verschmutzung, Seegras, Tang, etc. den Strahl blockieren, ist das Boot umgehend aus dem Wasser zu nehmen. Schalten Sie den Batterietrennschalter um (trennen) und entfernen Sie etwaige Verschmutzungen im Strahlbereich. Vermeiden Sie Startversuche wenn der Antrieb ihres Jet Tenders blockiert ist. Ein Schaden am Antriebsstrang / Motor könnte die Folge sein. Bei Schwierigkeiten oder Problemen, wenden Sie sich an einen autorisierten Williams Händler.

### SCHLEPPEN

Es besteht die Gefahr den Motor mit Wasser zu füllen. Ein spezielles Ventil wurde hierfür eingebaut. Wird der Tender geschleppt, muss das Ventil in die CLOSED Position verstellt werden. Für den Fahrbetrieb muss das Ventil wieder auf die OPEN Position verstellt werden. Eine falsche Stellung des Ventils kann zu Motorschäden führen.



### ANLEGEN

Lassen Sie Ihren Turbojet Tender nicht für längere Zeiträume angelegt, da dies zur Akkumulation von z. B. Meeresflora, und somit zum Leistungsverlust, führen kann.

### ANLEGEN AM STRAND/UFER

Betreiben Sie Ihren Turbojet Tender NICHT wenn die Mindestwassertiefe unterhalb von 0,5 m/2 ft ist; Verschmutzung kann in die Strahleinheit gelangen. Schalten Sie den Motor aus, bevor sie auf den Strand fahren. Der Jetantrieb sowie das Motorenkühlsystem könnten beschädigt werden.

Nach Anlegen am Strand, schieben Sie das Boot in tieferes Wasser und schwenken es mehrere Male von Längsseite zu Längsseite um etwaigen Strandsand aus dem Ansaugbereich zu entfernen. Wird dies unterlassen oder versäumt, können an der Strahleinheit Schäden entstehen.

### TRIMM

Überladen Sie das Boot nicht. Beachten Sie bei allen Geschwindigkeiten den Trimm Ihres Boots und sorgen Sie stets für eine gleichmäßige Gewichtsverteilung.

### ALLGEMEIN

Betreiben Sie das Boot mit gebührender Sorgfalt und bei Geschwindigkeiten, die den Bedingungen des jeweiligen Wassers angemessen sind. Führen Sie vor der Verwendung stets eine Sichtprüfung des Boots und seiner Komponenten durch. Halten Sie sich an den Wartungs-/Service Plan gemäß den Vorgaben im Service Handbuch.

## WARNLAMPEN

### 1. ABGASTEMPERATUR

Diese Warnlampe leuchtet auf bei begrenzter Open-Loop Kühlwasserzufuhr. Nach erneutem Starten des heißen Motors ist es normal, dass diese Lampe bis zu 30 Sekunden leuchtet. Leuchtet die Lampe länger als 30 Sekunden oder leuchtet sie auf wenn der Motor über Leerlaufdrehzahl ist, dann schalten Sie den Motor **AUS** und prüfen ob im Kühlsystem eine Einschränkung/Begrenzung vorliegt (Schmutz in Pumpe/Rohre).



### 2. ECU STÖRUNG

Diese Lampe leuchtet auf bei Störungen mit dem Motoren-Management System. Bei Aufleuchten, schalten Sie den Motor **ab** und wenden Sie sich an einen autorisierten Williams Händler.

### 3. NIEDRIGER ÖLSTAND

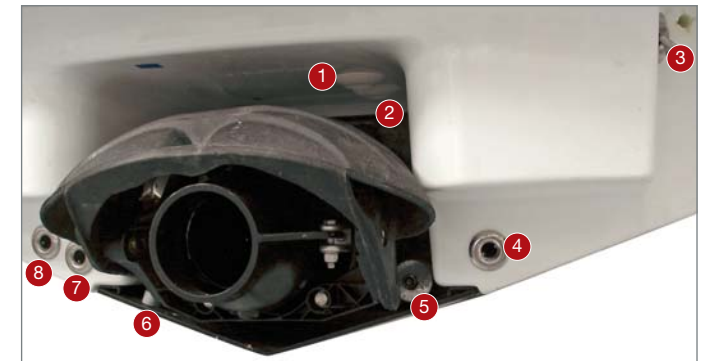
Bei Aufleuchten, schalten Sie den Motor **ab** und wenden Sie sich an einen autorisierten Williams Händler.

## NACH DER BENUTZUNG: SPÜLPROZEDUR

Um die Motorlebensdauer zu verlängern ist es sehr wichtig, nach der Benutzung und vor der Lagerung, etwaiges Salzwasser vom Motor zu spülen. Unterlassung des Spülens führt zu einer beträchtlichen Lebensdauererkürzung der Motorkomponenten. **Betätigen Sie den Gashebel NICHT wenn der Turbojet Tender außerhalb vom Wasser ist. Starten Sie erst den Motor bevor Sie das Wasser aufdrehen. Bevor der Motor abgestellt wird, muss erst das Wasser abgestellt werden da sonst Wasser in die Brennräume des Motor gelangen kann.**

1. Nehmen Sie das Boot täglich aus dem Wasser und waschen/spülen Sie das gesamte Boot/Strahlpumpe mit Frischwasser.
2. Verbinden Sie einen Frischwasserschlauch (mit dem zum Tender mitgelieferten Schlauchkupplungselement) an die Schlauchkupplung.
3. Starten Sie den Motor und schalten die Wasserzufuhr sofort an.
4. Betreiben Sie den Motor für ca. 1 Minute im Leerlauf um das Open-Loop Kühlsystem komplett zu spülen.
5. Schalten Sie die Wasserzufuhr aus.
6. Lassen Sie nun den Motor für höchstens 10 Sekunden laufen um alles Wasser aus dem Kühlsystem zu entfernen; dann schalten Sie den Motor aus. Entfernen Sie das Schlauchkupplungselement von der Schlauchkupplung im Heckbereich.
7. Kontrollieren Sie den Kielraum des Bootes und trocknen etwaiges Restwasser. Entfernen Sie alle Ablaufstopfen in den Fußräumen.

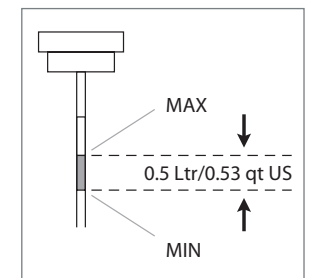
1. Kielwasserablauf
2. Open-Loop Kühlwasserüberlauf
3. Kraftstoffüberlauf
4. Fußraumablauf, rechts hinten
5. Anode der Pumpe
6. Anode der Fahrtplatte
7. Fußraumablauf, links hinten
8. Fußraumablauf, vorne



## ÖLSTAND PRÜFEN

Der Weber Motor ist ein Trockensumpfmotor mit separatem Öltank. Bei laufendem Motor, wird das Öl in den Öltank gepumpt. Wird der Motor abgestellt, läuft das Öl langsam in den Motor zurück. **Der Motor muss betriebswarm sein um den Ölstand am Ölpeilstab ablesen zu können.**

Der Ölstand sollte zwischen MIN und MAX sein. Der Ölpeilstab darf zur Prüfung nicht eingeschraubt werden. Auf richtige Ölqualität achten. Den Motor nicht überfüllen.



## WARTUNG

Die wichtige erste Wartung nach dem Einfahren ist nach 25 Laufstunden erforderlich. Danach sind Wartungen stets nach 50 Laufstunden erforderlich oder einmal jährlich, je nach dem was zuerst eintritt. Wenden Sie sich für Wartungsmaßnahmen an Ihren autorisierten Williams Händler. Regelmäßige Wartungsmaßnahmen am Motor ersehen Sie in Ihrem Williams Service Handbuch.

Für Ersatzteile und Zubehör kontaktieren Sie bitte Ihren autorisierten Williams Händler.

## ANORDNUNG DER BOOT SYSTEME



1. Kraftstoffpumpe-Geber, Kraftstoffstand
2. Kraftstoff Rücklauf
3. Kraftstoff Zulauf
4. Kraftstofffilter
5. Closed-Loop Kühlmittelausgleichsbehälter

6. Öltank
7. Batterie
8. Gasgestänge
9. Wellenabdichtung
10. Abschleppventil

## SCHMIERUNG DER ANTRIEBSWELLE

Die Antriebswellenabdichtung wird durch eine automatische Schmiereinrichtung gewährleistet. Eine Überprüfung sollte jedoch nach ca. 10 Betriebsstunden erfolgen. Als Schmiermittel sollte Quicksilver 2-4-C Schmierfett oder ein vergleichbares Hochtemperaturfett verwendet werden. Beim nachfetten ist darauf zu achten das die Max. Markierung nicht überschritten wird.



## SICHERUNGEN

Die Sicherungen befinden sich im Motorraum.

1. 12 V Steckdose: rot/weiße Leitung – 25 A
2. Schwimmerschalter Kielpumpe: rot/blau Leitung – 7,5 A
3. Navigationsleuchten: orangenfarbige Leitung – 5 A
4. Schalter Kielpumpe: grün/rote Leitung – 5 A
5. Gebläse: braune Leitung – 7,5 A



## PRÜFEN DES KRAFTSTOFFSYSTEMS

*Vorsicht das Kraftstoffsystem steht unter Druck. Das Kraftstoffsystem wird bei den vorgeschriebenen Serviceintervallen auf Dichtheit geprüft. Alle im System befindlichen Teile, sind mit einem Druck von ca. 5 bar beaufschlagt. Der Kraftstoffdruck ist auch nach abstellen des Motors noch im System vorhanden. Besondere Vorsicht ist daher beim Tausch des Kraftstofffilters geboten. Geeignete Schutzausrüstung sowie eine Schutzbrille ist zu tragen. Kein offenes Licht während der Arbeiten am Kraftstoffsystem.*

## ROUTINEMÄSSIGE WARTUNG

*Um lange Lebensdauer zu gewährleisten und zur sicheren und zuverlässigen Aufrechterhaltung des Tenders, bitten wir Sie die Anweisungen der routinemäßigen Wartung einzuhalten. Williams übernimmt keinerlei Verantwortung für Schäden oder Verletzungen aufgrund falscher Wartung oder nicht sachgemäßer Einstellungen durch den Eigentümer.*

1. Kontrollieren und ggf. Auffüllen der automatischen Schmierung für die Antriebswelle.
2. Kontrollieren Sie den Motorölstand. (Siehe Kapitel Motorölprüfung in diesem Handbuch).
3. Kontrollieren Sie den Kühlmittelstand.
4. Spülen sie das Open-Loop Kühlsystem.
5. Schmieren Sie alle Kabelzüge im Motorraum und an der Pumpe mit hochwertigem, teflonhaltigem Marinefett (z. B. Quicksilver 101).
6. Kontrollieren den Kiel auf eindringendes Wasser, Öl- oder Kraftstoff verschmutzungen.
7. Tragen Sie eine geringe Menge Fett (weiß) oder ähnlich an die ausfahrbare Halterung der Positionslampe auf.
8. Kontrollieren Sie den Zustand der beiden Pumpenanoden.
9. Ein Druckverlust in den Schläuchen innerhalb von 24 Stunden ist nicht ungewöhnlich. Temperatur und Luftdruck können den Schlauchdruck beeinflussen. Kontrollieren Sie den Druck in den Schläuchen regelmäßig.

## WINTERLAGERUNG

Informationen zur Winterlagerung ersehen Sie im Williams Service Handbuch.

## ENHORABUENA EN TU ELECCION DE UNA WILLIAMS TURBOJET

Este manual de usuario ha sido creado para ayudarte en el uso del Turbojet para tu seguridad en tu tiempo de recreo. Contiene detalles sobre la embarcación y su equipamiento instalado, también contiene detalles sobre el manejo y el mantenimiento necesario. Por favor lee atentamente y familiarízate con la embarcación antes de utilizarlo. El Williams Turbojet utiliza una turbina de agua para desplazarse. Si este es tu primer barco, o estas cambiando a un tipo de barco con el que no estas familiarizado, para tu seguridad, por favor asegurarte que sepas como maniobrar y obtener experiencia antes de operar tu embarcación. Tu proveedor, federación de vela o club marítimo estarán encantados de señalarte donde acudir para sacarte los títulos necesarios para operar la embarcación.

**El turbojet es una embarcación de alto rendimiento. Williams recomienda como mínimo un título equivalente a un RYA Level 2 or ICC (Certificado de Competencia Internacional) antes de obtener el control de la embarcación. Este folleto entiende que antes de la compra de la embarcación ya hayas adquirido los títulos y experiencia necesaria.**

**Por favor guarda este folleto en un sitio seguro y entrégalo al nuevo propietario si vendes la embarcación.**

Numero de identificación del casco (HIN):

## ESPECIFICACION GENERAL

	J/T 285	T 325	T 385	T 445
<b>Eslora total</b>	2.85m	3.30m	3.85m	4.45m
<b>Manga</b>	1.64m	1.68m	1.74m	1.96m
<b>Peso del barco</b>	260kg/286kg	296kg	340kg	395kg
<b>Altura</b>	910mm	910mm	910mm	1.02m
<b>Velocidad</b>	40 nudos +	40 nudos +	40 nudos +	40 nudos +
<b>Carburante</b>	41 Litros	41 Litros	60 Litros	70 Litros
<b>Personas</b>	3 + 1	4 + 1	5 + 1	6 + 1

## ESPECIFICACION DEL MOTOR

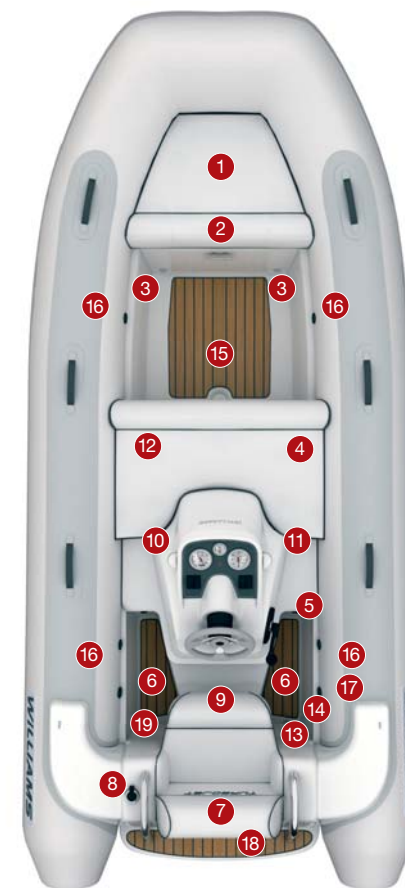
<b>Motor</b>	Weber MPE 750cc Turbo 4 Tiempo
<b>Potencia Máxima</b>	98hp/73kW a 7300rpm (66hp/50kW a 6300rpm)
<b>Carburante</b>	Gasolina Sin Plomo 95-98 RON
<b>Viscosidad de aceite</b>	0W50 a 15W50 sintético
<b>Capacidad de aceite</b>	3.5 Litros Máximo

## CLASSIFICACION

**Categoría C – “aguas costeras”:** La embarcación ha sido diseñada para navegar en aguas costeras, ríos y lagos, donde las condiciones pueden llegar a fuerza 6 de viento y olas de hasta 2 metros de altura. *Este barco esta homologado según el ISO 6185-3.* El numero de identificación del casco esta situado por arriba de la turbina de agua en el tablero trasero. Graba este número en el libro de mantenimiento. La placa del CE esta situado a la derecha del barco. La placa CE esta la certificación según la dirección normativa Europeo 94/25/CE.

## PLAN GENERAL

1. Cofre de proa
2. Cornamusa
3. Punto de elevación delantero
4. Depósito de carburante (debajo del asiento)
5. Mando de control
6. Punto de elevación trasero
7. Enganche de esquí (debajo del asiento)
8. Luz de navegación mástil
9. Llave de contacto y interruptor principal de batería (debajo del asiento)
10. Luz de navegación de estribor
11. Luz de navegación de babor
12. Compartimiento de almacenaje (debajo del asiento)
13. Cargador de batería 12 voltios
14. Certificación CE
15. Tapón de drenaje (uno delante y dos en trasero)
16. Válvula de inflación de aire
17. Válvula de sobre presión de aire
18. Numero de identificación de casco (debajo del espejo)
19. Acoplamiento de enjuague



## CONTROLES Y PANEL DE INSTRUMENTOS

1. Indicador – Tacómetro y cuenta horas
2. Luz – Testigo de presión de aceite baja
3. Indicador – Nivel de combustible
4. Interruptor – Bomba de sentina
5. Indicador – Velocidad/cuenta milla
6. Luz – Testigo de temperatura de escape
7. Interruptor – Luces de navegación
8. Interruptor – Extractor de gases
9. Luz – Testigo de malfuncionamiento del ECU
10. Cinta de seguridad (Hombre en el agua)
11. Fusibles (adentro compartimento de motor)



## REPOSTANDO

Como parte de la inspección de pre-entrega tu nuevo Turbojet ha sido arrancado y han vaciado el depósito de carburante. Sólo repostar con gasolina sin plomo 95/98 RON.

- Apagar el motor y quitar el contacto antes de repostar.
- Quitar el asiento para dar acceso al tapón del depósito de carburante. Hay una llave suministrado para ayudarte a abrir el tapón.
- Repostar en un área aireada y bien ventilada.
- No sobre llenar el depósito de carburante, evita derramar gasolina.
- Aprieta el tapón del depósito de carburante después de repostar.
- Abre la tapa del motor y comprobar fugas en las sentinas después de repostar.
- El tapón del depósito del carburante tiene su propio respiradero.  
No echar agua cerca del depósito de carburante, ya que puede caer agua dentro del depósito.

## ANTES DE USAR

La presión de aire dentro de los tubos puede variar con las temperaturas de ambiente. Hay que inflar los tubos de aire en secuencia hasta 250mB/ 3.6 psi. Si no es así comprometes la habilidad de la embarcación en el agua y la seguridad del barco. Las válvulas de inflación están equipadas con un sistema de cuarto de vuelta para desinflar la embarcación rápidamente.

- Cierra las válvulas de aire y ten los flotadores inflados igualmente a 2.9psi (0.2bar).
- Comprueba la sentina para fugas de agua o gasolina.
- Aprieta los taponos de drenaje.
- Comprueba que los enganches de la tapa del motor estén seguros.

## ARRANCANDO/ENCENDIENDO TU TURBOJET

Asegurate de que haya un mínimo de profundidad de 0.5m/0.2ft de agua.

1. Conecta el interruptor principal de la batería.
2. Arranca el extractor de gases por 4 minutos.
3. Asegúrate que no hayan cabos sueltos que puedan interferir o entrar con la turbina.
4. Asegúrate de que estas en neutro/palanca de cambio en el medio.
5. **Conecta la cinta de seguridad (hombre en el agua) con el interruptor. SIEMPRE abróchate la correa cuando el motor este en marcha.**
6. Gira la llave de contacto hasta que el motor arranque.
7. Las revoluciones estarán limitadas automáticamente hasta que el motor se caliente.



1. Isolador de batería
2. Llave de contacto
3. Interruptor circuito

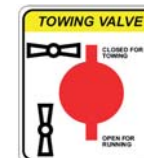
## MANEJANDO SU EMBARCACION

Esta embarcación utiliza un sistema de propulsión de agua para desplazarse y tiene características únicas en el manejo. La aceleración del motor produce una fuerza de propulsión de agua en la turbina que empuja la embarcación, la dirección funciona cuando aceleras y giras el propulsor en la dirección deseada. Una gran aceleración hace que la embarcación gire rápidamente y una aceleración lenta hace que gire más despacio. La embarcación no tiene timón pues necesitas aceleración o fuerza para que la embarcación se mueva.

Las algas, basura y otras cosas encontradas en el mar pueden dañar su turbina si se adentran en el, puede produzca cavitacion, causando una perdida de fuerza de empuje. Si esta condición pasara en un tiempo prolongado puede causar que el motor se sobrecaliente resultando en grandes daños al motor. Si hay indicios de algas, basura u otros residuos tapando la turbina, saca la embarcación del agua. Apaga el aislador de la batería y remueve todo el material que obstruye la turbina. NO trates de forzar el arranque del motor si la turbina esta bloqueada porque se puede dañar el motor. En caso de dificultad por favor ponte en contacto con tu distribuidor local de Williams.

### REMOLCANDO

**PRECAUCION:** Hay riesgo de inundar motor. Hay una válvula de remolque. Esta válvula debe estar cerrada al remolcar y abierta mientras se utilizar el motor. Si no se observa las posiciones correctas de la válvula puede provocar grandes daños al motor.



### ATRACANDO

No dejes tu Turbojet amarrado durante largas temporadas, ya que puede causar que algas crezca en el casco y puede causar en una pérdida de rendimiento.

### EMBARRANCANDO

**NO UTILIZAR en menos de 0.5m/2ft de profundidad, ya que algas y otras sustancias pueden dañar la turbina. NO CONDUZCAS hasta la playa. Para el motor antes de llegar a la playa, ya que puedes dañar la turbina y sistema de refrigeración.**

Después de haber estado en la playa, mueve la embarcación a aguas mas profundas y mueve el casco de lado a lado para quitar cualquier rastro de arena o residuos que estén en la entrada de agua- si no se hiciera podrías dañar la turbina.

### NIVELANDO

No sobrecargar la embarcación con peso. A cualquier velocidad estate atento y distribuye el peso equilibradamente.

### GENERAL

Usa la embarcación con precaución y navega a la velocidad apropiada de acuerdo al estado de mar. Siempre realiza una inspección visual del barco y sus componentes antes de utilizarla. Sigue los planes de revisión según el libro de mantenimiento del fabricante.

## LUCES DE AVISO

### 1. TEMPERATURA DE ESCAPE

Esta luz se encenderá si hay un bloqueo en el sistema de refrigeración abierto. Después de encender el motor cuando este caliente es normal que esta luz este encendida hasta 30 segundos. Si la luz sigue encendida después de 30 segundos, **APAGA** el motor e investiga el problema. Comprueba el sistema de refrigeración por restricciones.

### 2. MALFUNCIONAMIENTO DEL ECU

Esta luz se encenderá si hay un problema con el sistema electrónico de control de motor. Si esta luz se ilumina **APAGA** el motor y contacta con tu distribuidor Williams.

### 3. PRESION DE ACEITE BAJA

Si esta luz se enciende, **APAGA** el motor y contacta con tu distribuidor Williams.

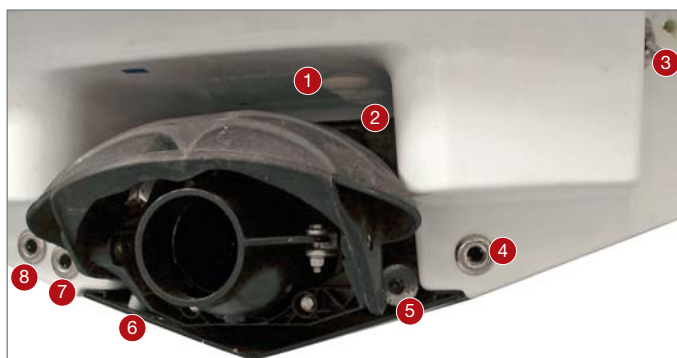


## DESPUES DE USAR: PASANDO MOTOR POR AGUA DULCE

Para prolongar la vida del motor de tu Turbojet, es muy importante pasar tu motor por agua dulce después de haberlo usado y antes de almacenarlo. No realizar esta operación reduce la vida de tu motor. **NO ACELERAR** las revoluciones del motor fuera del agua. **El motor debe estar arrancado antes de conectar el agua. Hay riesgo de inundar el motor si el agua sigue encendido después de apagar el motor.**

1. Varar la embarcación diariamente y lavar con agua dulce la embarcación y la bomba de turbina.
2. Conectar una manguera de agua con en conector macho suministrado con el barco e introducirla en el conector hembra instalado.
3. Arrancar motor y abrir inmediatamente el agua dulce.
4. Arrancar motor a relanti por aproximadamente 1 minuto para enjugar el sistema de refrigeración.
5. Apagar el agua dulce.
6. Dejar el motor arrancado por un periodo de no más de 10 segundos para vaciar toda el agua del sistema de refrigeración, Apagar el motor. Desconectar el conector en el tablero trasero.
7. Comprobar que la sentina este seca. Quitar tapones de drenaje.

1. Salida bomba de sentina
2. Salida de circuito refrigerante abierto
3. Desagüe de exceso de combustible
4. Desagüe tapón de drenaje bañera de estribor
5. Ánodo de protección de turbina
6. Ánodo de protección del cuerpo de turbina
7. Desagüe tapón de drenaje bañera de babor



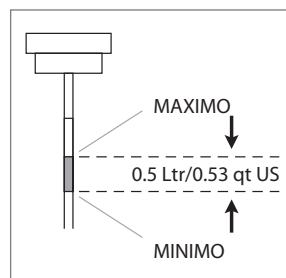
8. Desagüe tapón de drenaje bañera de proa

## COMPROBAR EL NIVEL DE ACEITE

El motor Weber es de tipo "carta seca", con deposito independiente de aceite. Cuando el motor esta arrancado el aceite de lubricación es bombeado al deposito independiente. Después de apagar el motor, una cantidad cierta de aceite vuelve desde el deposito hasta la carta.

Para controlar el nivel de aceite correcto en el motor, debe estar a una temperatura adecuada o normal para leer el nivel en la varilla.

El nivel correcto de aceite debe estar entre las marcas de minimo y maximo en la varilla. No hay que enroscar el tapon de la varilla para comprobar. Hay que elegir la viscosidad adecuada de aceite, según el fabricante. No sobrellenar.



## SERVICIO:

Es importante que el primer servicio se realice a las 25 horas de su primer uso. De ahí en adelante es necesario realizar un servicio cada 50 horas o cada año, lo que venga primero. Contacta con tu distribuidor autorizado de Williams para el servicio. Consulta con el manual de servicio Williams para el mantenimiento periodico del motor.

Para recambios y accesorios por favor contacta tambien con tu distribuidor autorizado de Williams.

## DISTRIBUCION SISTEMA DE LA EMBARCACION



1. Bomba/Flotador nivel combustible
2. Tubo de retorno de combustible
3. Tubo de alimentación de combustible
4. Filtro de combustible
5. Deposito sistema de refrigerante cerrado
6. Tanque de aceite
7. Batería
8. Conexiones de mando de control
9. Reten de eje/Prensaestopas
10. Válvula de remolque

## LUBRICACION DEL RETEN DEL EJE

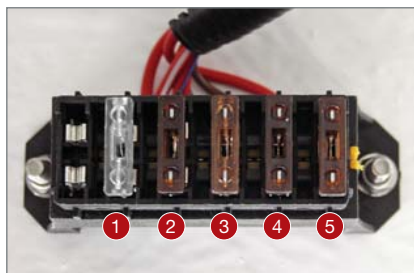
La lubricación del reten del eje se consigue mediante una unidad de engrase automática. Inspeccionar el nivel cada 10 horas de operación. Utilizar grasa marina Quicksilver 2-4-C o equivalente para llenar el depósito. Tener cuidado de no introducir demasiada presión en el sistema. No exceder el máximo.



## IDENTIFICACION DE FUSIBLES

Los fusibles se encuentran debajo del control de mando.

1. Enchufe 12 voltios: Cable Rojo/Blanco – 25 Amperios
2. Interruptor automático bomba de sentina: Cable Rojo/Azul – 7.5 Amperios
3. Luces de navegación: Cable naranja – 5 Amperios
4. Bomba de sentina: Cable Rojo/Verde – 5 Amperios
5. Extractor de gas: Cable marrón – 7.5 Amperios



## COMPROBACION DEL SISTEMA DE COMBUSTIBLE

**ATENCIÓN: Sistema de combustible presurizado. Inspeccionar el sistema, buscar fugas a intervalos programados. Todos los elementos del sistema de combustible funcionan bajo presión (5 bar) El sistema se mantiene presurizado incluso al apagar el motor. MUCHO CUIDADO debe tenerse cuando se quiten los conectores durante el cambio de filtros. Utilizar protección ocular. No exponer a llamas.**

## INTERVALES DE MANTENIMIENTO

**Para asegurar una vida larga en servicio y para mantener tu embarcación segura y en una condición fiable, es necesario que sigas los siguientes pasos de mantenimiento. Williams no se hace responsable de los daños causados por no seguir el mantenimiento o mal ajuste llevado por el propietario.**

1. Engrasar retén de prensaestopas del eje cada 10 horas de uso con grasa Quicksilver marine 2-4-C o equivalente. Como guía, hay que dar dos bombeos con la pistola de engrase suministrada con la embarcación. Asegúrate de no sobre presionar la grasa en los retenes de la prensaestopas del eje.
2. Comprobar nivel de aceite.
3. Comprobar nivel de refrigerante.
4. Enjuagar con agua dulce el sistema de refrigeración abierto.
5. Engrasar con grasa con teflón (Quicksilver 101 o equivalente) todos los cables de control.
6. Comprobar sentina para fugas de agua, aceite, combustible u otro tipo de contaminación.
7. Lubricar el mástil de la luz de navegación retractable.
8. Comprobar estado de los dos ánodos de protección de la turbina.
9. La pérdida de presión de aire en los flotadores de aire en un tiempo de 24 horas puede ser considerado normal. La temperatura y presión atmosférica puede influir en las presiones dentro de los flotadores de aire. Comprobar las presiones regularmente.

## MANTENIMIENTO DE INVIERNO

Mire su manual de servicio de Williams para los procesos de hibernación.

## WILLIAMS PERFORMANCE TENDERS LTD. 2008 LIMITED WARRANTY CERTIFICATE

Williams Performance Tenders ("Williams") undertake a PDI (pre-delivery inspection) on all new boats before shipment from factory.

Williams will provide for repairs to their inflatable boats during the specific warranty periods provided herein, in accordance with the following terms, conditions and limitations. Registration of Williams boat – Each Williams boat is supplied to the original customer with a registration card. The limited Warranty contained herein shall not take effect and shall be deemed null and void unless the original owner submits a completed registration card to Williams Performance Tenders Ltd, Unit 2 Vogue Business Park, Berinsfield, Oxon OX10 7LN. UK within 30 days from the date of original registration. Williams approved dealers shall be entitled to store boats for a period of up to 6 months prior to registration provided that: **a)** The boats are stored in original packaging in accordance with Williams guidelines; **b)** Registration is recorded upon handover with delivery hours only.

### WARRANTY COVERAGE:

Williams warrants to the original private purchaser of a properly registered craft that: **a)** All seams of the tubes, inflation valves, and the fabric used in the construction of the tube shall be free from defects in material and workmanship for a period of 3 years from the date of the original registration; **b)** The fabric of the tube shall be free from deterioration affecting serviceability (i.e. cracking, porosity, but not discolouration, fading or chaffing) for a period of 3 years from the date of the original registration; **c)** the fibreglass hull shall be free from defects in material and workmanship for a period of 1 year from the date of the original registration; **d)** all components fitted to the boat at the Williams factory or subsequently replaced under warranty shall be free from defects in material and workmanship for a period of 1 year from the date of the original registration. The warranty period for commercial use owners will be 4 months from the date of original registration. The obligation of Williams under this Limited Warranty is limited to repairing or replacing, as Williams may elect at its sole discretion, any parts that prove, in Williams' sole judgement, to be defective in material or workmanship. THIS LIMITED WARRANTY SHALL BE THE ORIGINAL PURCHASER'S SOLE AND EXCLUSIVE REMEDY.

### WHAT IS NOT COVERED:

This Limited Warranty shall not apply to: **a)** normal wear and tear; **b)** any minor boat damage, including but not limited to, gel coat crazing, fading or blistering; **c)** Any damage to Williams boats due to negligence, accident, misuse, alteration, improper operation, collision, fire, theft, vandalism, riot, explosion, objects striking the boat, improper maintenance and storage; **d)** Any damage caused by towing a Williams boat, any damage caused by lifting or recovering a Williams boat; **e)** Tubes exposed to harsh or corrosive chemicals; **f)** any parts installed by anyone other than Williams factory personnel; **g)** any damage caused by after-market parts; **h)** Williams boats purchased for commercial/governmental use; **i)** any work carried out on a Williams boat by an unauthorised service centre and/or without Williams' prior approval; **j)** labour, freight, delivery, storage or other similar charges; **k)** defects caused or worsened by failure to adhere to the instructions concerning the treatment, maintenance and care of the boat; **l)** Damage caused by water ingestion. Sometimes equipment installed on a Williams boat (such as electronics) carry their own individual warranties provided by their respective manufacturers. In such cases any warranty claims regarding those parts must be directed to those manufacturers and not Williams. Williams reserves the right to make warranty coverage contingent upon proof of proper maintenance.

### HOW TO OBTAIN WARRANTY REPAIR:

Prior to any work being commenced on a Williams boat, the warranty claim must be approved in writing by Williams Performance Tenders Ltd. In order to obtain warranty repair approval, the original owner must send written notification, along with a copy of the bill of sale, and photograph depicting the damage and/or defect sought to be repaired to Williams Performance Tenders Ltd, Unit 2 Vogue Business Park, Berinsfield, Oxon OX10 7LN. U.K. If Williams finds that the specific defect and/or damage is covered under this Limited Warranty, Williams will advise the owner in writing where to send (via pre-paid freight) the boat or part(s) for repair or replacement. In many cases the local authorised Sales and Service Centre may be utilised for repairs. In others the boat or parts must be repaired by Williams personnel only. Williams does not assume any liability for any work performed on a Williams boat at an unauthorised Service Centre and/or without Williams' prior approval. All parts replaced under this Limited warranty become the property of Williams.

### MISCELLANEOUS:

Williams does not authorise any person to create for it any other obligation or liability in connection with its boats. THIS LIMITED WARRANTY AND WILLIAMS' OBLIGATION HEREUNDER IS IN LIEU OF ALL WARRANTIES EXPRESS OR IMPLIED, INCLUDING WITHOUT LIMITATION THE WARRANTIES OF MERCHANTABILITY AND FITNESS FOR A PARTICULAR PURPOSE. Williams will not be liable for any incidental or consequential damages resulting from breach of this limited warranty, including without limitation, loss of inflatable boat use, storage, payment for loss of time, inconvenience, boat rental expense, and local taxes required on warranty repairs. Williams reserves the right to alter models, change colours, specifications, materials, equipment, component parts, prices or cease production of certain models at any time without prior notice, and such changes, alterations, or cessation shall be made without Williams incurring any obligations to equip or modify inflatable boats produced prior to the date of such changes or alterations. This Limited Warranty shall be governed by and construed and enforced in accordance with UK Law.